

## FEATURES

- Carbon resistive element.
- Dust proof enclosure.
- Polyester substrate.
- Also upon request:
  - Wiper positioned at 50% or fully clockwise
  - Supplied in magazines for automatic insertion
  - Long life model PT-6...E (10,000 cycles)
  - Without crimping model. PT-6...SC
  - Housing available in self extinguishable plastic (VL94V0)

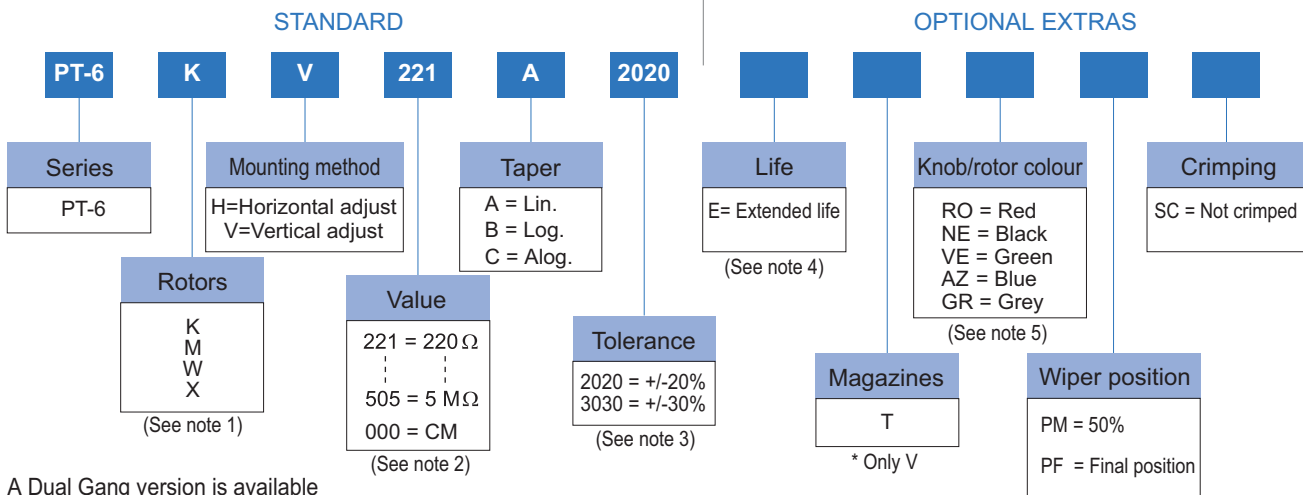
## MECHANICAL SPECIFICATIONS

- Mechanical Rotation angle:  $235^\circ \pm 5^\circ$
- Electrical Rotation angle:  $200^\circ \pm 20^\circ$
- Torque: 0.2 to 2 Ncm. (0.3 to 2.7 in-oz)
- Stop torque:  $> 4$  Ncm. ( $> 5.6$  in-oz)

## ELECTRICAL SPECIFICATIONS

- Range of values (\*)  $220\Omega \leq R_n \leq 5M$  (Decad. 1.0 - 2.0 - 2.2 - 2.5 - 4.7 - 5.0)
  - Tolerance (\*):  $220\Omega \leq R_n \leq 1M\Omega$  .....  $\pm 20\%$   
 $1M\Omega < R_n \leq 5M\Omega$  .....  $\pm 30\%$
  - Max. Voltage: 100 VDC (lin), 50 VDC (no lin)
  - Nominal Power  $50^\circ\text{C}$  ( $122^\circ\text{F}$ ) (see power rating curve)  
 $0.1$  W (lin)  $0.05$  W (no lin)
  - Taper (\*) (Log & Alog. only  $R_n \geq 1K$ )  
 Lin; Log; Alog.
  - Residual resistance(\*):  $\leq 0.5\%$   $R_n$  ( $5\Omega$  min)
  - Equivalent Noise Resistance:  $\leq 3\%$   $R_n$  ( $3\Omega$  min)
  - Operating Temperature\*\*:  $-25^\circ\text{C}$   $+70^\circ\text{C}$  ( $-13^\circ\text{F}$   $+158^\circ\text{F}$ )
- (\*) Others upon request.      \*\* Up to  $85^\circ\text{C}$  depending on application

## HOW TO ORDER



A Dual Gang version is available (see Low Torque Ganged Trimmer data sheet).

### NOTES:

- Adjust. type: «X» is only available with horizontal adjusting method.
- Value: - Code:  $\frac{22}{1} = 220\Omega$   
 - 000 = CM = Switch (see diagram)  
 - Number of zeros: 1  
 - First two digits: 22
- Tolerance (non standard): Upon request: Code eg.:  $\frac{+7}{-5} = \frac{07}{05}$   
 - Negative tolerance: 07  
 - Positive tolerance: 05
- Life: • Normal = 500 cycles • Long = 10,000 cycles
- Potentiometer without knob, only the rotor. Potentiometer with knob, only the knob.

NOTE: The information contained here should be used for reference purposes only.

## HOW TO ORDER CUSTOM DRAWING

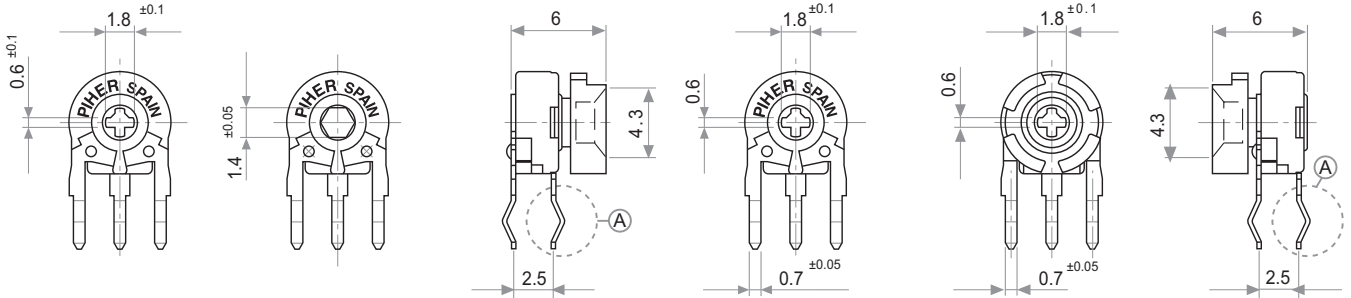
PT-6 KV + DRAWING NUMBER (Max. 16 characters)

This way of ordering should be used for options which are not included in the "How to order" standard and optional extras.

## STANDARD OPTIONS

Mechanical life .....	500 cycles
Packing .....	Bulk
Rotor colour .....	White
Wiper position .....	Initial
Crimping .....	With crimping

## ROTORS



**K**= Cross slot thru hole

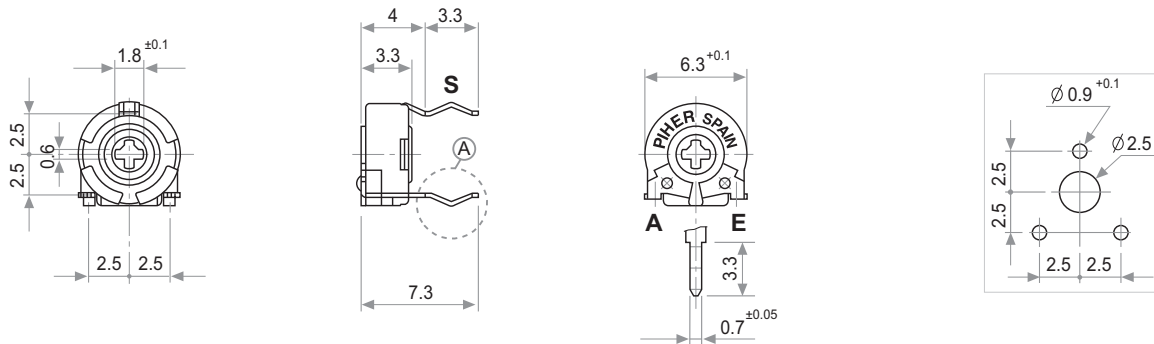
**M**= Hexagonal thru hole

**X** = Adjustable from collector side

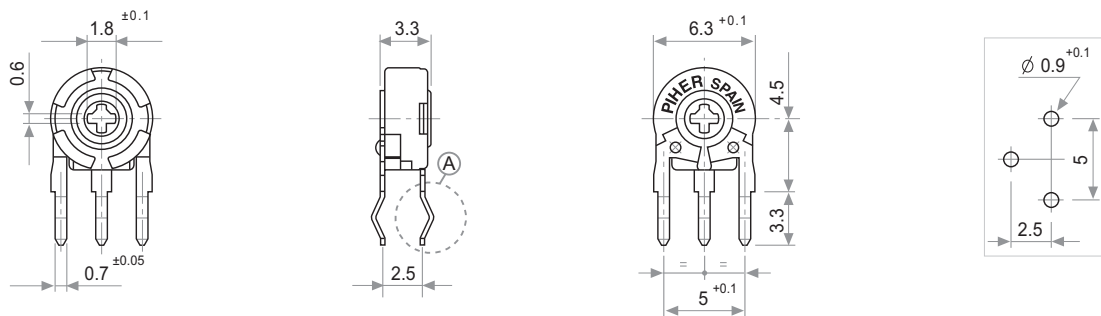
**W**= Adjustable from terminal side

## MOUNTING METHODS. VARIATIONS

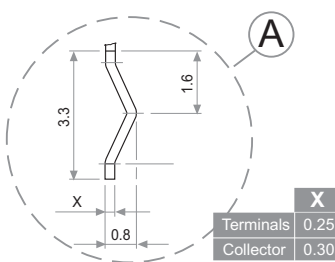
**v** = Horizontal mount / Vertical adjust



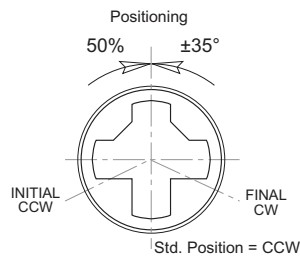
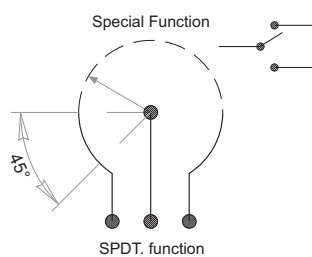
**h** = Vertical mount / Horizontal adjust



## DETAIL



## OPTIONS



# PACKAGING

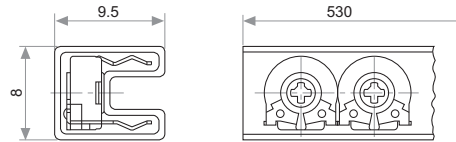
## BOXES

Model	Units
All	1.000

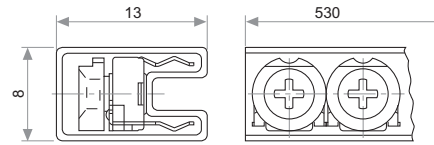
## AUTOMATIC INSERTION

Magazines	Units per magazine
PT-6 V & PT-6 WV	80 Pieces

## Magazines for PT-6 V with or without crimp.



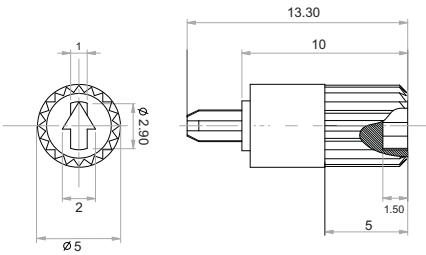
## Magazines for PT-6 WV with or without crimp.



## SHAFT

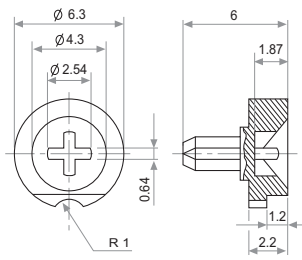
If you wish to use your own custom plastic shaft/knob/actuator please contact Piher for advice about compatible materials.

Ref.: 6132



Please order Shaft Separately

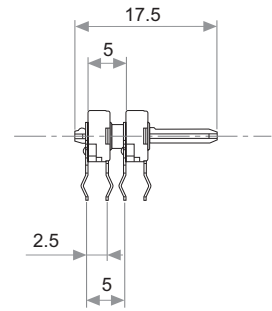
## KNOB



Ref.: 5155

## PT-6 DUAL GANG VERSION

For PT-6 dual gang version contact your nearest PIHER supplier



## TESTS

## TYPICAL VARIATIONS

## POWER RATING CURVE

ELECTRICAL LIFE	1.000 h. @ 50°C: 0.1 W	±5 %
MECHANICAL LIFE (CYCLES)	200 @ 10 CPM ...15 CPM	±3 % (Rn < 1 MΩ)
TEMPERATURE COEFFICIENT	-25°C; +70°C	±300 ppm (Rn < 100 K)
THERMAL CYCLING	16 h. @ 85°C; 2h. @ -25°C	±2.5 %
DAMP HEAT	500 h. @ 40°C @ 95% HR	±5 %
VIBRATION (for each plane X,Y,Z)	2 h. @ 10 Hz. ... 55 Hz.	±2 %

NOTE: Out of range values may not comply with these results.

