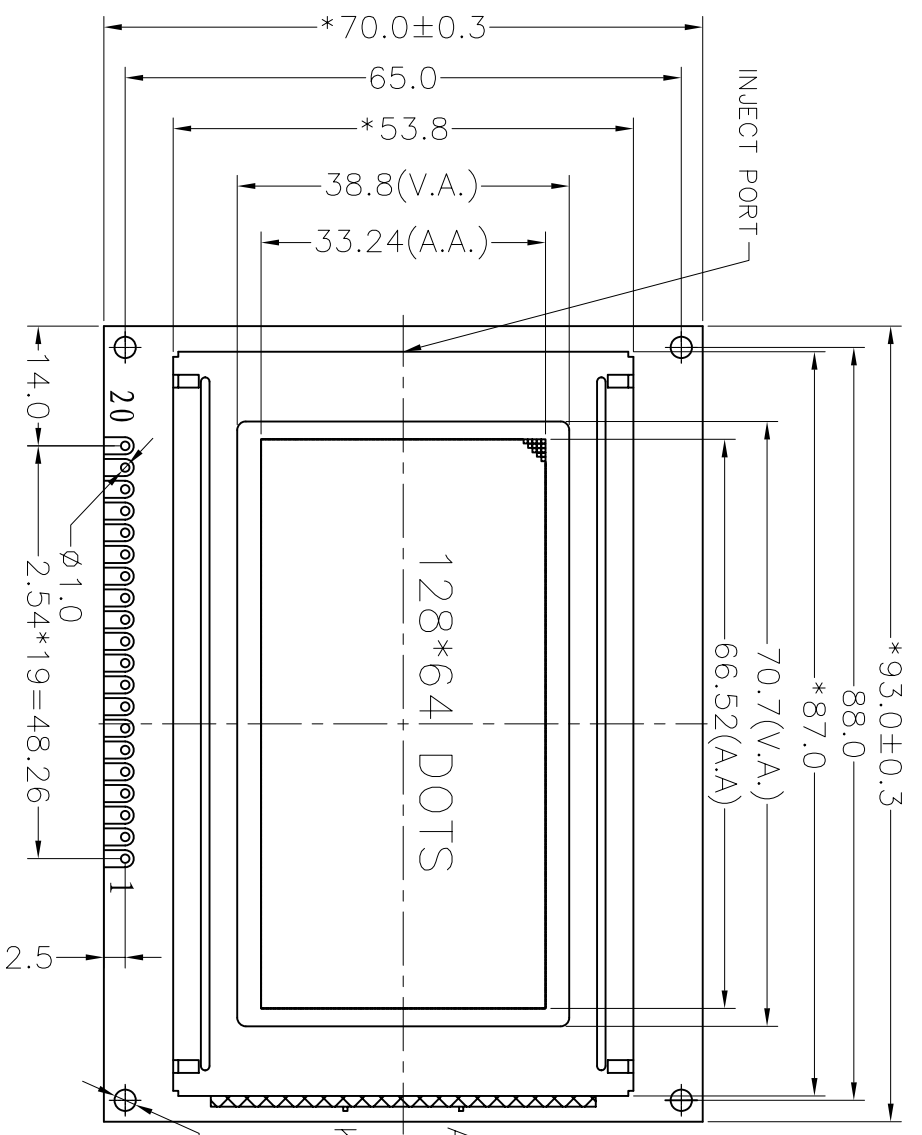
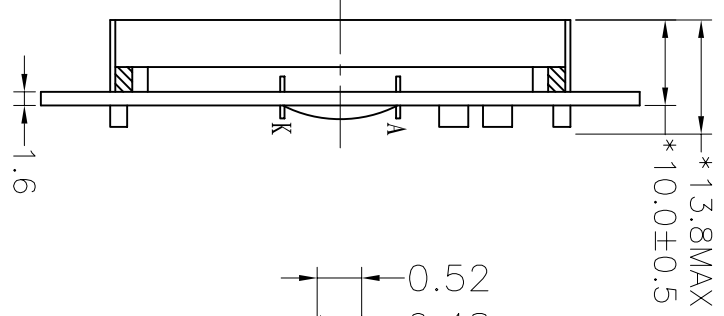


REV 版本	DESCRIPTION 描述	DATE 日期
A00	First issue	AUG-28-2007



Specification:

- 1). Driving: Duty:1/64, Bias:1/6, VDD5.0V, VLCD:8.0V(Ref.) VIEWING DIRECTION
- 2). Viewing direction: 6 O'clock
- 3). Display mode: STN/Negative/Transmissive/Blue
- 4). Operating temp.: -20°C-70°C
- 5). Storage temp.: -30°C-80°C
- 6). IC: SBN0064G/SBN6400G
- 7). Backlight: Side, White,
- 8). Dimensions with mark "*" are important, with mark "()" are referenced
- 9). All the raw materials are RoHS compliant



DOTS SIZE
SCALE 10:1

PIN	1	2	3	4	5	6	7	8	9	10
CONNECTOR	VSS	VDD	V0	RS	R/W	E	DB0	DB1	DB2	DB3
PIN	11	12	13	14	15	16	17	18	19	20
CONNECTOR	DB4	DB5	DB6	DB7	CS1	CS2	RST	VEE	LEDA	LEDK



深圳市秋田视佳实业有限公司
SHENZHEN AV-DISPLAY CO.,LTD.

SCALE: FIT 适应图面
比例

PART NO: 零件编号	CD 结构图	PROJECTION 三角法	MODEL NUMBER 模组型号	APPROVALS 签字	UNIT 单位 DATE 日期
FAV-ABG128064A23-R-00			ABC128064A15A1W4R	APP: CHK: DWN:	GENERAL TOL: ±0.3 页次 1 OF 1 未注公差