

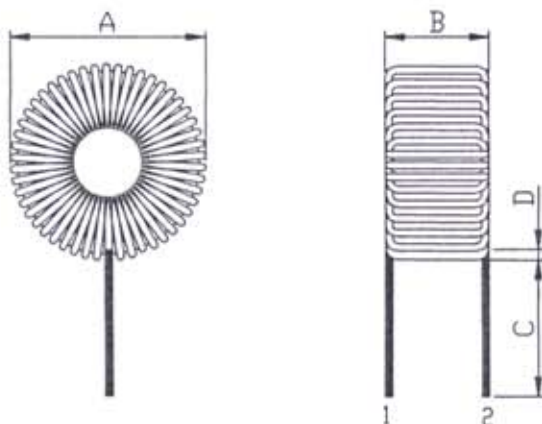
# \*SPECIFICATION\*

APPROVED BY

## 1. MATERIAL , WINDING

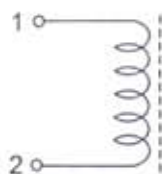
CORE	CT130-26 (or equivalent)	WIRE	Ø0.90mm (2UEW)
URNS	(1-2) 94 T (ref.)		

## 2. DIMENSIONS (UNIT : mm)



A	Ø41.0 Max.
B	17.0 Max.
C	10.0±2.0
D	0~3

## 3. CIRCUIT



## 4. CHARACTERISTICS

ITEM	SPEC. ( 1 - 2 )	TESTING CONDITION	MEASUREMENT INSTRUMENT
INDUCTANCE	700 $\mu$ H±15%	1kHz/1V	HP-4284A
Rdc	140m $\Omega$ Max.		HP-34420A
RATED CURRENT	5A Max.	$\Delta$ T=40°C	HP-34420A HP-E3632A

## 5. REMARKS

\* VARNISHED.