

**Electromechanical
hour counters**

**Hour counters, for AC or DC,
48 x 48 mm for surface or DIN-rail mounting, front ø 58 mm**

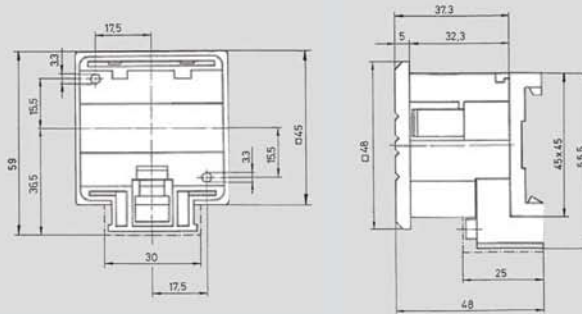
You can obtain the BAUSER counters in the housing colours grey (RAL no. 7032) and black, on request even in light-grey (RAL no. 7035) and with your logo on it (minimum quantity required). Approved to CE, UL/CSA.

Front frame 48 x 48 mm, surface or DIN rail 35 mm (DIN 46277)

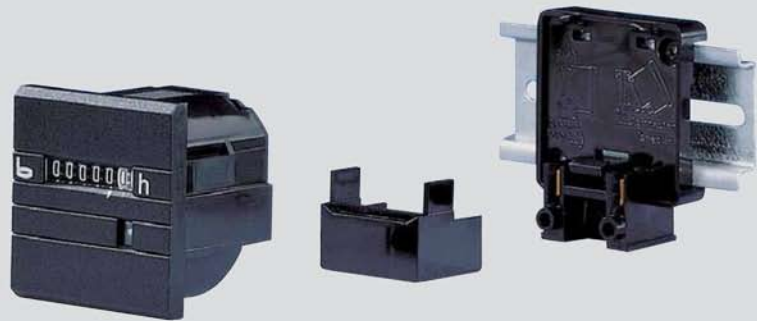


type 632 A.2, 630 A.2
with additional terminal cover type A

AC	DC	grey	black	terminal connection	plug connection	protection against accidental contact with	protection against accidental contact without
631 A.2	629 A.2	■		■		■	
632 A.2	630 A.2		■	■		■	



with or without protection against accidental contact



type 632A.2, 630A.2 with additional terminal cover type A