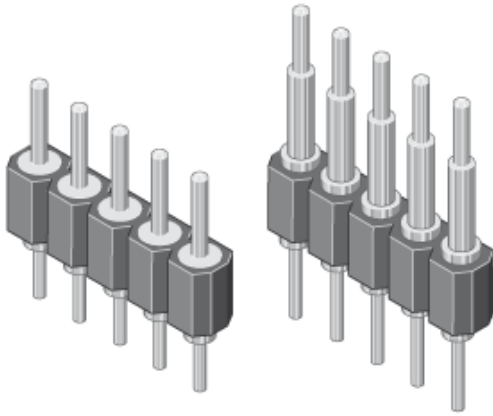


Order code: 034-1-028-D-M2T-XS0

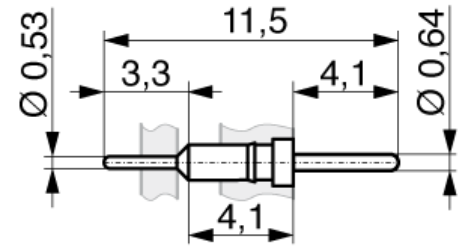
2) PIN-ADAPTOR, SPECIAL PIN HEADER

Series: **034**

Pin headers available with many different contact options.

Single row socket strip (SIL).

Pitch (mm) 2,54
 Board termination Through hole
 No of contacts 28
 Contact type M2 - A 0,64 (S13-4)



Material contact Copper alloy
 Material insulator High temp. thermoplast UL94V-0
 Rated current 3,0 A
 Rated voltage 150 VRMS / VDC
 Withstand voltage 1000 VRMS for 1 minute
 Operating temperature -55°C to +125°C
 Max. processing temper. 260°C for 10 seconds
 Packaging Standard

**Order code: 034-1-028-D-M2T-XS0**

MPE Garry GmbH
 Schäfflerstraße 13
 87629 Füssen/Germany

Phone: +49 (0) 83 62 / 91 56-0
 Fax: +49 (0) 83 62 / 91 56-500
 Email: yk@mpe-connector.de

Date: 05.09.2012 Internet: http://www.mpe-connector.de/index.php?lang=en&menu=4&s_product=034-1-028-D-M2T-XS0