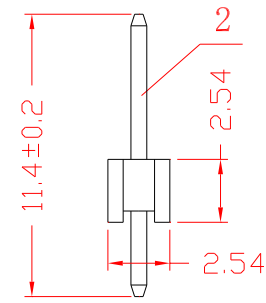
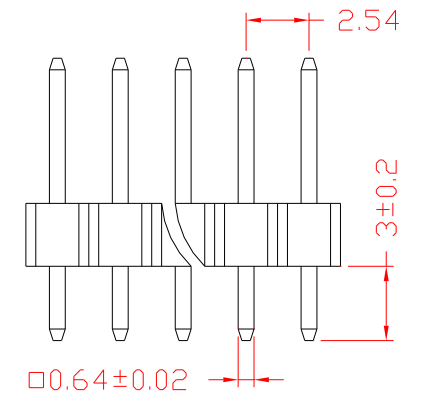
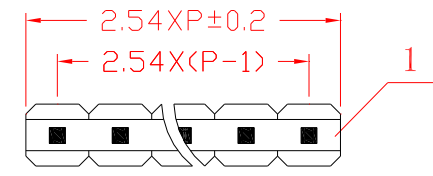


序号/revNo.	名称/title	文件编号/file No.
1	塑料件	QJ/XYT-11118
2	端子	QJ/XYT-11120



Specifications:  
 Contact Resistance: 30mΩ max.at DC 100 mA  
 Insulator Resistance: 1000MΩ min.at DC 500V  
 Current Rating: 1AMP

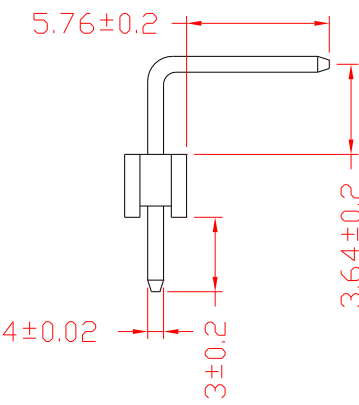
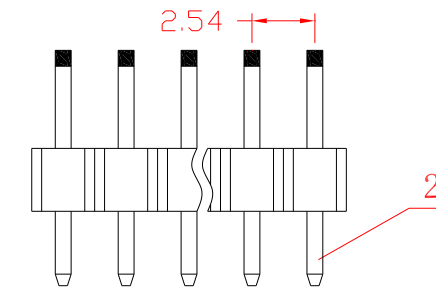
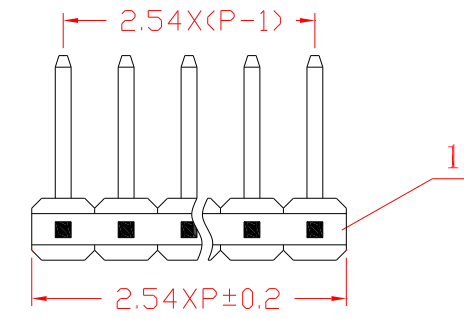
Dielectric Withstanding  
 Voltage: AC 500V For 1 minute  
 Operating Temperature:-55°C--+105°C  
 Contact: Brass  
 Housing: PBT &30% Glass Fiber(UL 94V-0)

- 要求:  
 1. 塑料件无裂痕。  
 2. 整排端子成一直线, 相邻端子之间相互平行。

设计/Designed by	绘图/Drawing by	审核/Checked by	批准/Approved by	未注公差 General Tolerance
M&E 新亚联合科技 XINYA UNITED TECH CO.,LTD.	图名/title	文件编号/file No.	x. ±0.2 x.' ±2'	.x ±0.1 .x' ±1' .xx ±0.05 .xx' ±0.5' .xxx ±0.01
	112-A单排直针 产品图	QJ/XYT-12020	页序/sheet	
	备注 /remark		单位/units: mm	

序号/revNo. 更改记录/revision note 签名/signature 日期/date

序号/revNo.	名称/title	文件编号/file No.
1	塑料件	QJ/XYT-11118
2	端子	QJ/XYT-11120



Specifications:  
 Contact Resistance: 30mΩ max.at DC 100 mA  
 Insulator Resistance: 1000MΩ min.at DC 500V  
 Current Rating: 1AMP

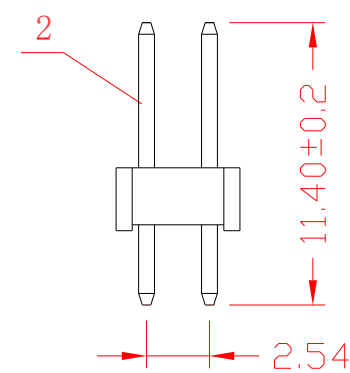
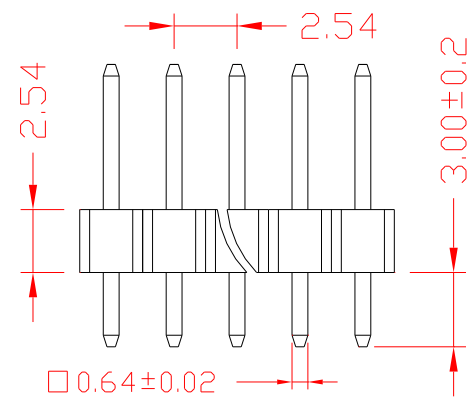
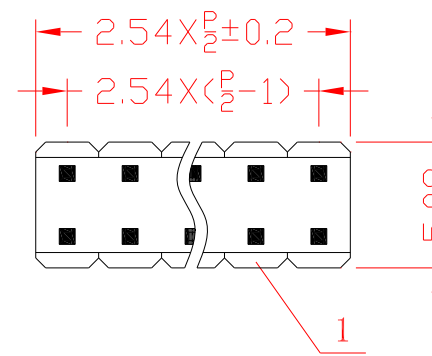
Dielectric Withstanding  
 Voltage: AC 500V For 1 minute  
 Operating Temperature:-55°C--+105°C  
 Contact: Brass  
 Housing: PBT &30% Glass Fiber(UL 94V-0)

- 要求:  
 1. 塑料件无裂痕。  
 2. 整排端子成一直线, 相邻端子之间相互平行。

设计/Designed by	绘图/Drawing by	审核/Checked by	批准/Approved by	未注公差 General Tolerance
M&E 新亚联合科技 XINYA UNITED TECH CO.,LTD.	图名/title	文件编号/file No.	x. ±0.2 x.' ±2'	.x ±0.1 .x' ±1' .xx ±0.05 .xx' ±0.5' .xxx ±0.01
	112-A单排弯针 (一)产品图	QJ/XYT-12024	页序/sheet	
	备注 /remark		单位/units: mm	

序号/revNo. 更改记录/revision note 签名/signature 日期/date

序号/revNo.	名称/title	文件编号/file No.
1	塑料件	QJ/XYT-11119
2	端子	QJ/XYT-11120



Specifications:  
 Contact Resistance: 30mΩ max.at DC 100 mA  
 Insulator Resistance: 1000MΩ min.at DC 500V  
 Current Rating: 1AMP

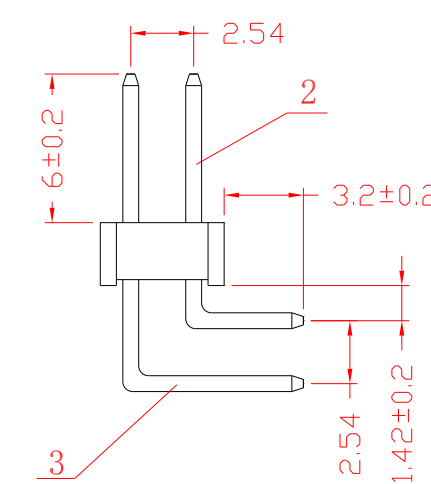
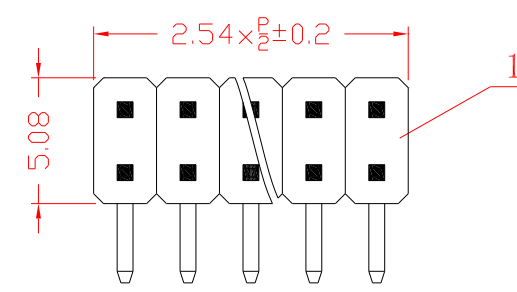
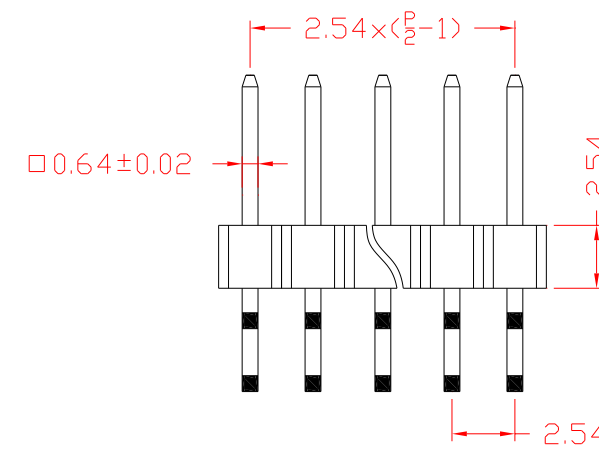
Dielectric Withstanding  
 Voltage: AC 500V For 1 minute  
 Operating Temperature:-55°C--+105°C  
 Contact: Brass  
 Housing: PBT &30% Glass Fiber(UL 94V-0)

- 要求:  
 1. 塑料件无裂痕。  
 2. 整排端子成一直线, 相邻端子之间相互平行。

设计/Designed by	绘图/Drawing by	审核/Checked by	批准/Approved by	未注公差 General Tolerance
M&E 新亚联合科技 XINYA UNITED TECH CO.,LTD.	图名/title	文件编号/file No.	x. ±0.2 x.' ±2'	.x ±0.1 .x' ±1' .xx ±0.05 .xx' ±0.5' .xxx ±0.01
	112-A双排直针 产品图	QJ/XYT-12022	页序/sheet	
	备注 /remark		单位/units: mm	

序号/revNo. 更改记录/revision note 签名/signature 日期/date

序号/revNo.	名称/title	文件编号/file No.
1	塑料件	QJ/XYT-11119
2	端子	QJ/XYT-11120
3	端子	QJ/XYT-11120



Specifications:  
 Contact Resistance: 30mΩ max.at DC 100 mA  
 Insulator Resistance: 1000MΩ min.at DC 500V  
 Current Rating: 1AMP

Dielectric Withstanding  
 Voltage: AC 500V For 1 minute  
 Operating Temperature:-55°C--+105°C  
 Contact: Brass  
 Housing: PBT &30% Glass Fiber(UL 94V-0)

- 要求:  
 1. 塑料件无裂痕。  
 2. 整排端子成一直线, 相邻端子之间相互平行。

设计/Designed by	绘图/Drawing by	审核/Checked by	批准/Approved by	未注公差 General Tolerance
M&E 新亚联合科技 XINYA UNITED TECH CO.,LTD.	图名/title	文件编号/file No.	x. ±0.2 x.' ±2'	.x ±0.1 .x' ±1' .xx ±0.05 .xx' ±0.5' .xxx ±0.01
	112-A双排弯针 产品图	QJ/XYT-12026	页序/sheet	
	备注 /remark		单位/units: mm	

序号/revNo. 更改记录/revision note 签名/signature 日期/date