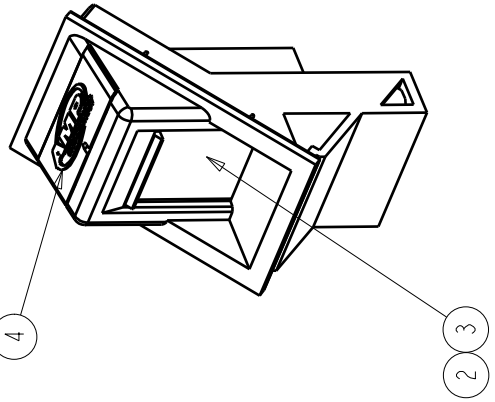
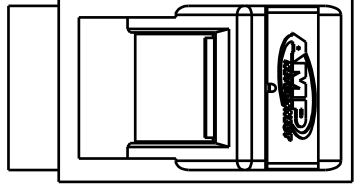
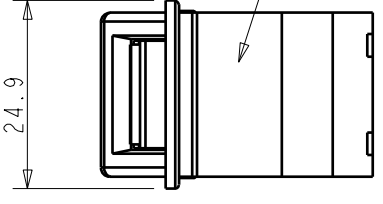
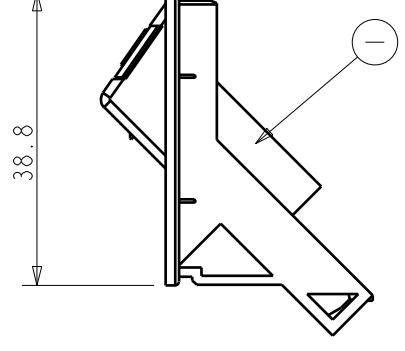
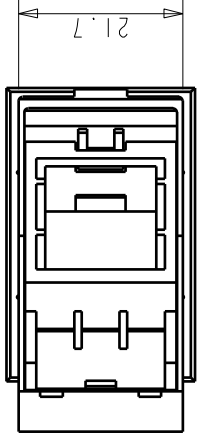


LOC	DIST	REVISIONS		
ES	-	P	LTR	DATE
		A	ECR-08-021857	29AUG2008
				FZ
				EW



- NOTES:
 1. ALL PARTS SHOULD BE PRE-ASSEMBLED EXCEPT ITEM 4&6.
 2. ITEM 4&6 IN A SMALL POLYBAG.
 3. ALL PARTS SHOULD BE PACKED IN ONE POLYBAG.

ITEM	DESCRIPTION	MATERIAL	QTY.	REMARKS
6	Label sheet		1	
5	LJ6C Angled Snap-in Module HSG	ABS	1	
4	Label cover	ACRYLIC	1	
3	Shutter	ABS	1	
2	Shutter Spring	SUS	1	
1	Jack Holder	ABS	1	

THIS DRAWING IS CONTROLLED DOCUMENT FOR TYCO ELECTRONICS CORPORATION IT IS SUBJECT TO CHANGE WITHOUT NOTICE. ANY ENGINEERING ORGANIZATION SHOULD BE CONTACTED FOR THE LATEST REVISION.		DWN JACK LU 17 JUL 2006 CHK ERIC WANG 17 JUL 2006 APVD ERIC WANG 17 JUL 2006 PRODUCT SPEC APPLICATION SPEC WEIGHT - CUSTOMER DRAWING
DIMENSIONS: mm 		TOLERANCES UNLESS OTHERWISE SPECIFIED: 0 PLC ±0.5 1 PLC ±0.2 2 PLC ±- 3 PLC ±- 4 PLC ±- ANGLES ±- FINISH -
MATERIAL ABS		SIZE A3 CAGE CODE 00779 DRAWING NO. C=1859096 RESTRICTED TO - SCALE 1:1 SHEET 1 OF 1 REV A