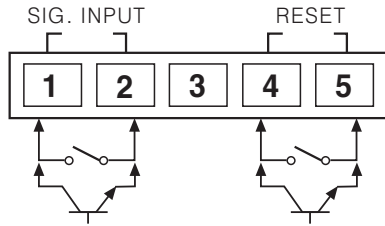


LE8N SERIES

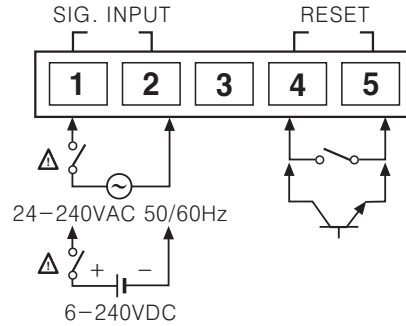
Connections

●No-voltage input



- ※ Use reliable contacts enough to flow $5\mu\text{A}$ of current.
- ※ Terminal 2 and 5 are connected inside. (Non-isolation)

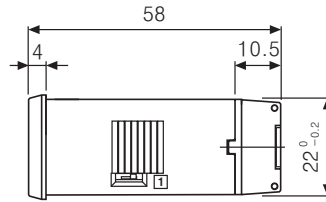
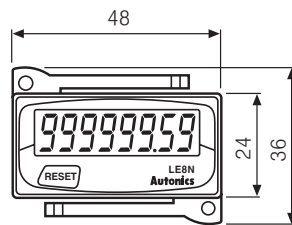
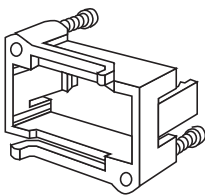
●Universal voltage input



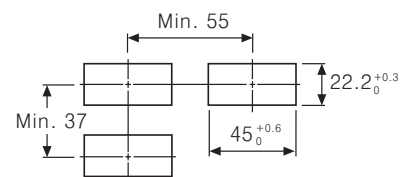
- ※ Terminal 1, 2 and 4, 5 are isolated.

Dimensions

●Bracket



●Panel cut-out

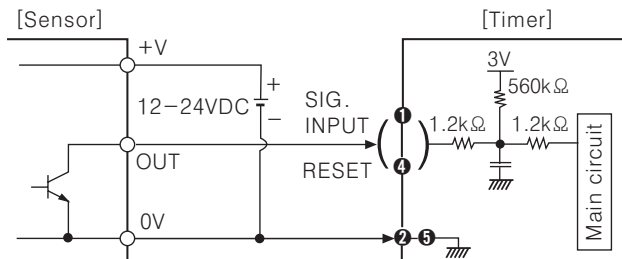


(Unit:mm)

Input connections

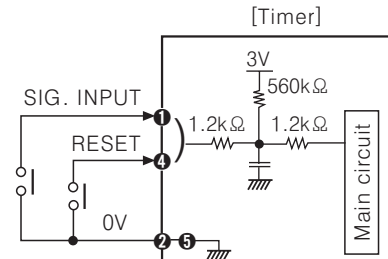
○No-voltage input (Standard sensor: NPN open type sensor)

●Solid-state input



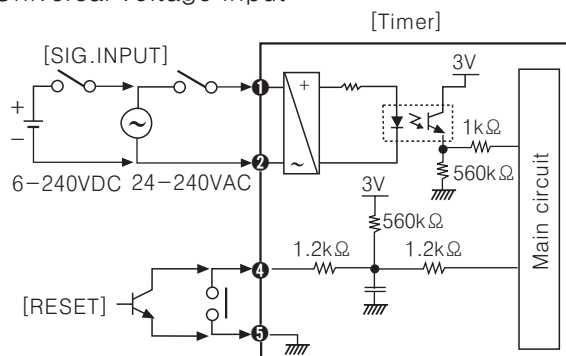
- ※ When power is applied to terminal No ① and ④, input terminal circuit can be broken and a malfunction can occur. (NPN output, PNP output, PNP open collector output type sensor cannot be used.)
- ※ ② and ⑤ are connected inside.

●Contact input



- ※ Please use reliable contacts enough to flow 3VDC $5\mu\text{A}$ of current.

○Universal voltage input

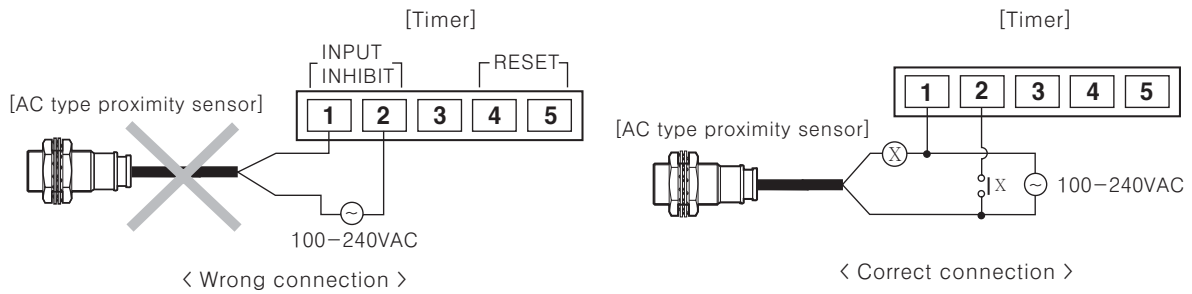


- ※ AC type proximity sensor cannot be used as the source of count input signals.
- ※ Input terminal ①, ② and Reset terminal ④, ⑤ are insulated inside.
- ※ It is not possible to reset with AC power or DC power.
- ※ When relay contact is used as the source of RESET signal, please use reliable contacts enough to flow 3VDC $5\mu\text{A}$ of current.

Compact LCD Timer

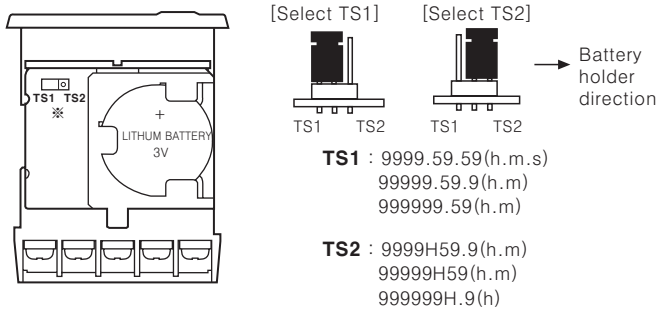
○Input from AC type proximity sensor

Please add input relay as shown below to prevent malfunction caused by current leakage of the proximity sensor.



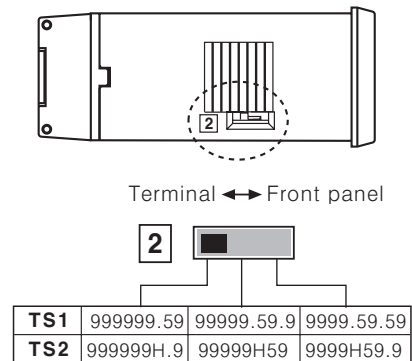
■Time specification(TS1, TS2) and time range

●Selection of time specification(TS1, TS2)

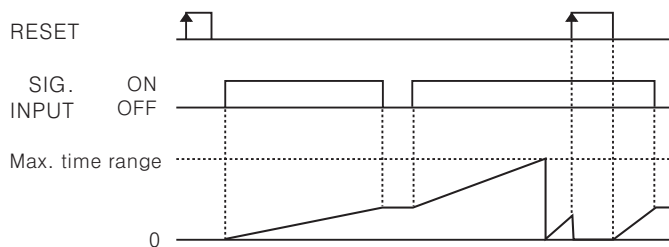


※Please supply RESET signal(Front or external RESET terminal) after change time range during the operation.

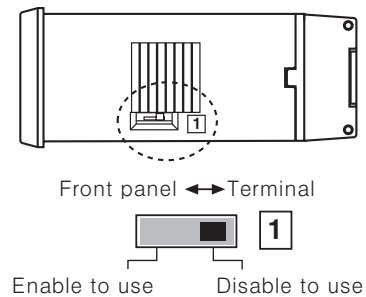
●Selection of time range



■Time operation

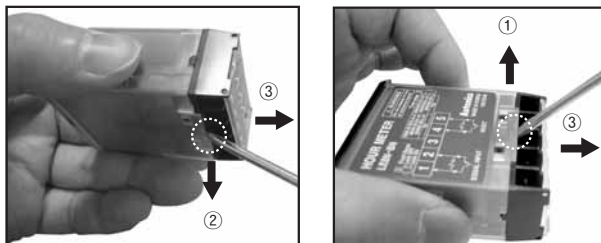


■Enable / Disable front reset key



■Case detachment and battery replacement

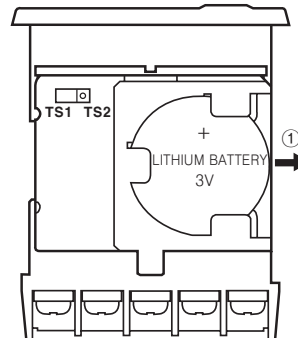
●Case detachment



※Hold up Lock part toward ①, ② of the product with the tool and pull toward ③, the case is detached.

⚠ Please be careful of the injury caused by tools.

●Battery replacement



1) Detach the case.

2) Push the battery and detach toward ①.

3) Insert new battery with correct alignment of polarity pushing toward opposite of ①.

※Battery is sold separately.

※Do not burn up or disassemble the lithium battery.

(A)
Counter

(B)
Timer

(C)
Temp. controller

(D)
Power controller

(E)
Panel meter

(F)
Tacho/
Speed/
Pulse meter

(G)
Display unit

(H)
Sensor controller

(I)
Switching power supply

(J)
Proximity sensor

(K)
Photo electric sensor

(L)
Pressure sensor

(M)
Rotary encoder

(N)
Stepping motor &
Driver &
Controller

(O)
Graphic panel

(P)
Field network device

(Q)
Production stoppage models &
replacement