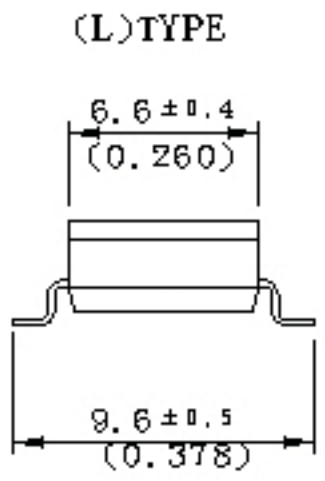
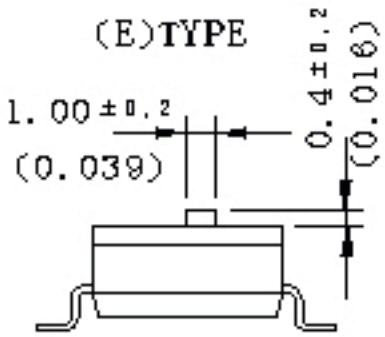
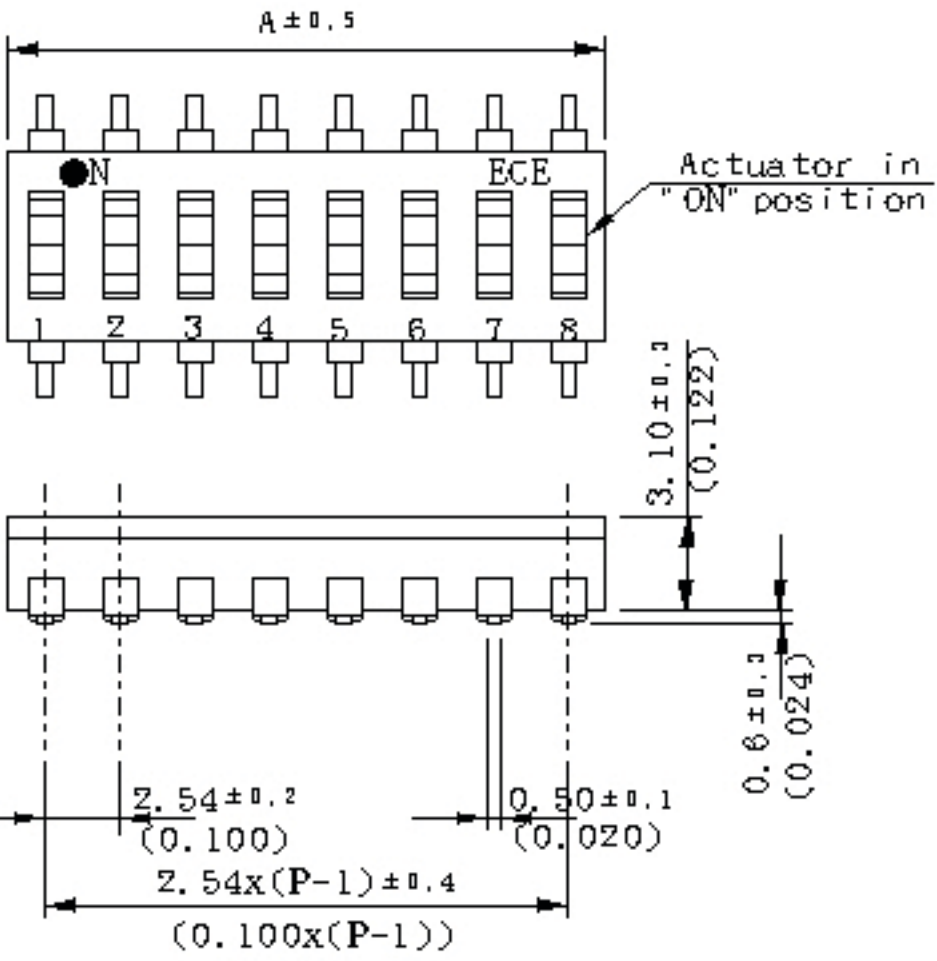
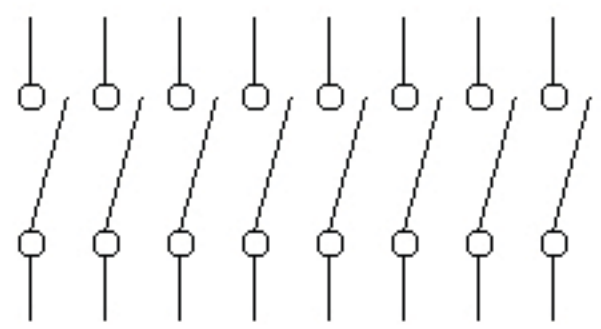


Positions	1	2	3	4	5	6	7	8	9	10	12
A	2.5 (0.098)	5.04 (0.198)	7.58 (0.298)	10.12 (0.398)	12.66 (0.498)	15.20 (0.598)	17.74 (0.698)	20.28 (0.798)	22.82 (0.898)	25.36 (0.998)	30.43 (1.198)

ESD



CIRCUIT DIAGRAM



P.C.B PATTERN (TOP VIEW)

