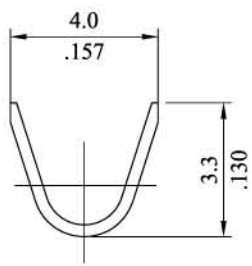
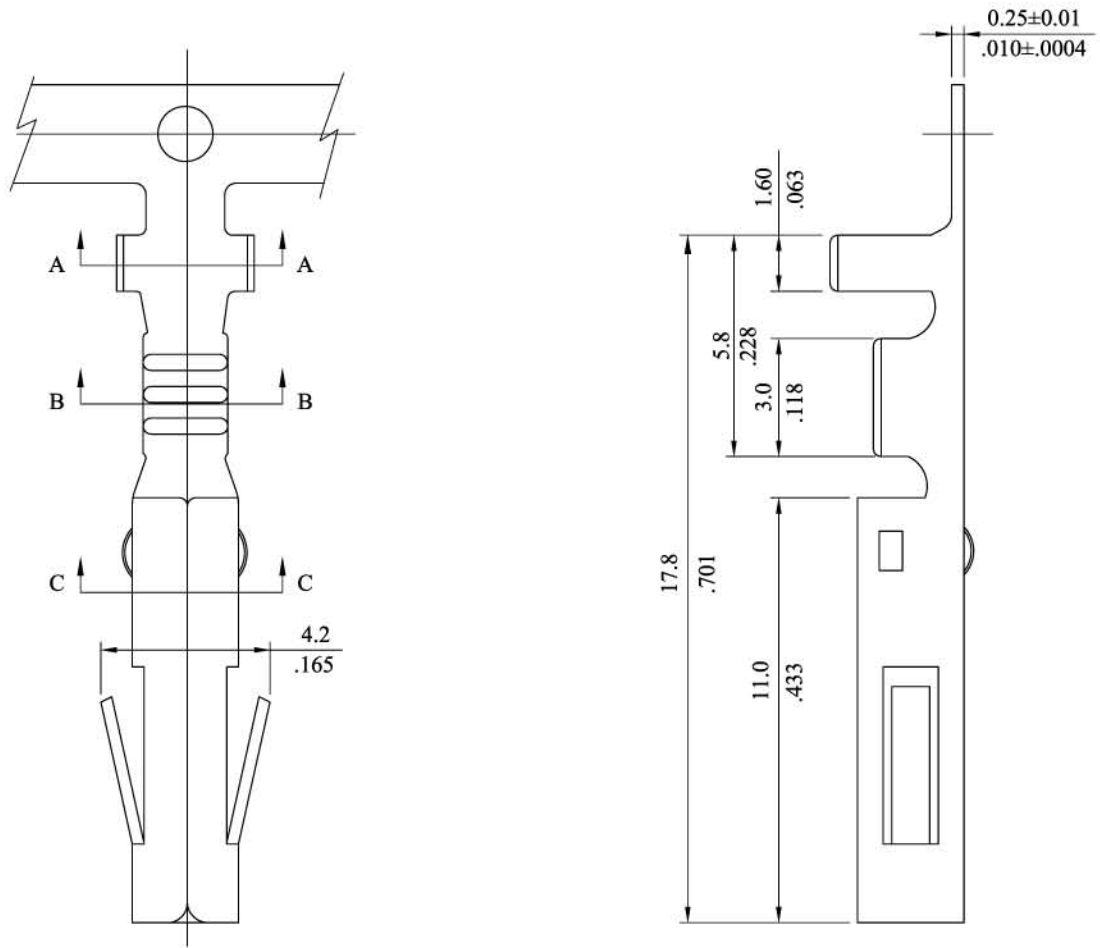


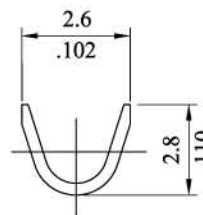
RoHS COMPLIANT

Material:

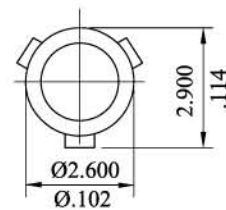
- * Contact : Brass
- * Plating : Tin plated 120μ " min over 30μ " min. nickel overall



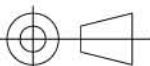
SECTION A-A



SECTION B-B



SECTION C-C

					APPROVED:		
D	ES101218			GENERAL TOLERANCES: (UNLESS SPECIFIED)	DATE:	TITLE: TERMINAL	
C	ES021214				CHECKED:		
B	E990099			mm	inch	DATE:	
A	DWG REL			1 PLACE	± 0.30	± --	DRAWN:
REV.	ECO. NO.	CHG.	APP.	2 PLACES	± 0.20	± .012	DATE:
				3 PLACES	± 0.10	± .008	
				4 PLACES	± --	± .004	
				ANGULAR ± (1°)			mm
							inch
							SCALE
							5:1
							SIZE
							A4
							SHEET
							1/1
							REV.
							D