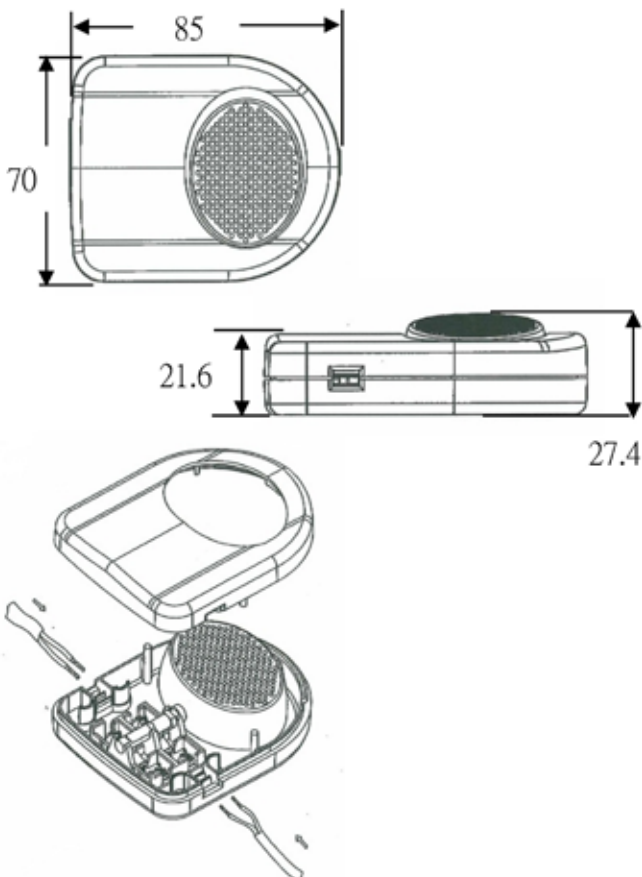


Foot Tap Switch Factory Wiring

KS2 series



- Suitable for floor lamp/small electrical appliances
- Single and double pole on/off device
- For 2-cord flat cables (H03VV type recommended)
- Impact protection
- Easy wiring, durable and safe
- Color - black, white, gold and transparent



Specification

Housing : High-temperature Resistant Thermoplastic 94V-2 grade

Metal Parts : Brass/Zinc-plated assembly screws

Voltage/Ampere : 250V/2.5A 1A

Temperature : -40°C to 100°C (working)
 140°C (short-time)

Product Code

KS2-2.5A-
 →
 → 12: single pole
 → 22: double pole