

Specifications:

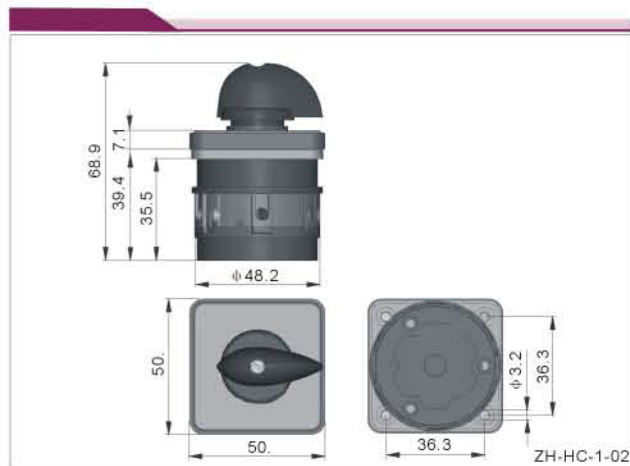
Rating (TUV):	440V~	18A (AC-21)	13A (AC-23)
		16A (AC-3)	5A (AC-15)
Rating (TUV):	250V~	18A (AC-21)	13A (AC-23)
		16A (AC-3)	10A (AC-15)
Rating (UL):	25A	125V~	
	16A	250V~	
	7.5HP	440V~ (three phase)	
	3HP	240V~ (single phase)	
Short circuit rating:	5KA	240-440V~	
Number of operating cycles:	5E4		



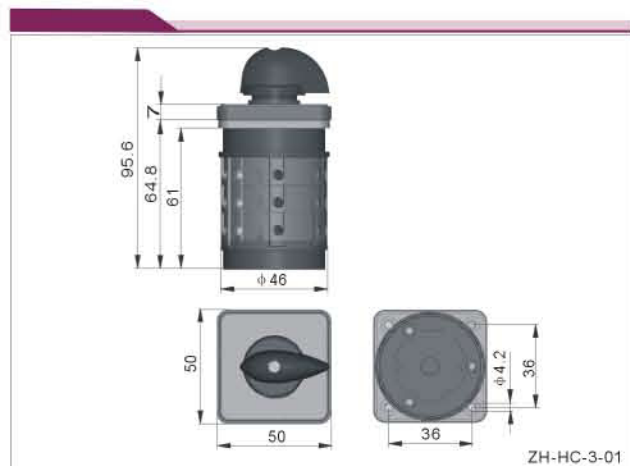
ZH-HC-1-02



ZH-HC-3-01

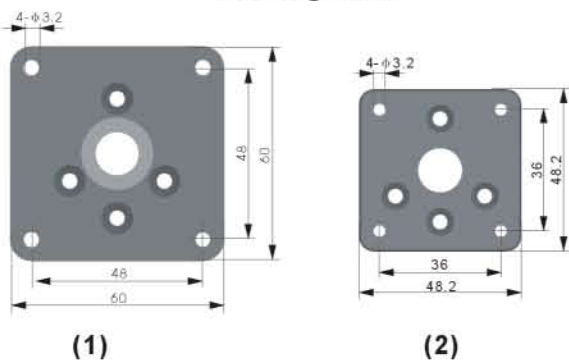


ZH-HC-1-02



ZH-HC-3-01

Installing Panel

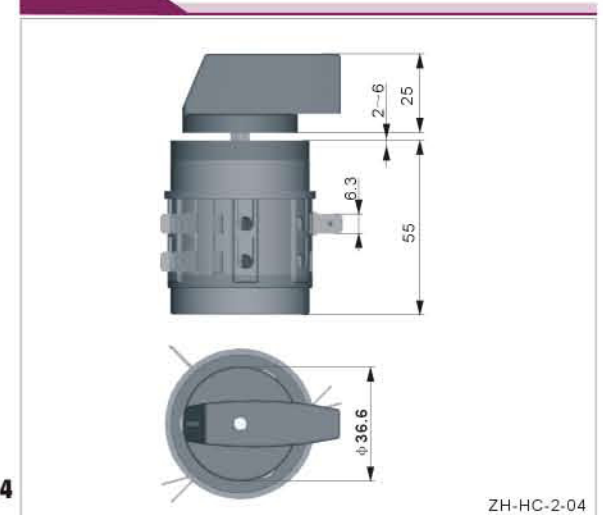


(1)

(2)



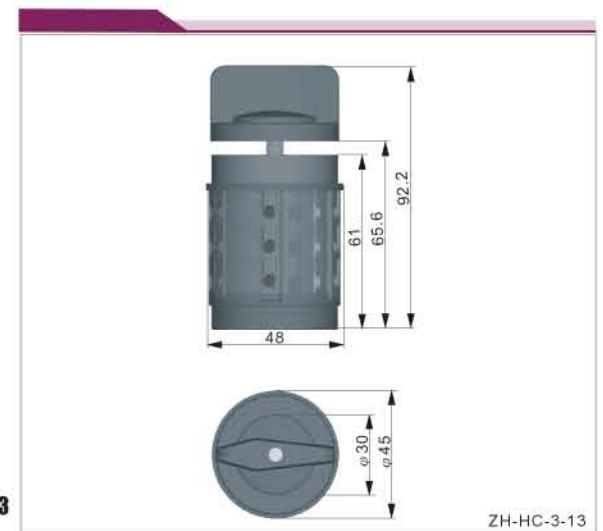
ZH-HC-2-04



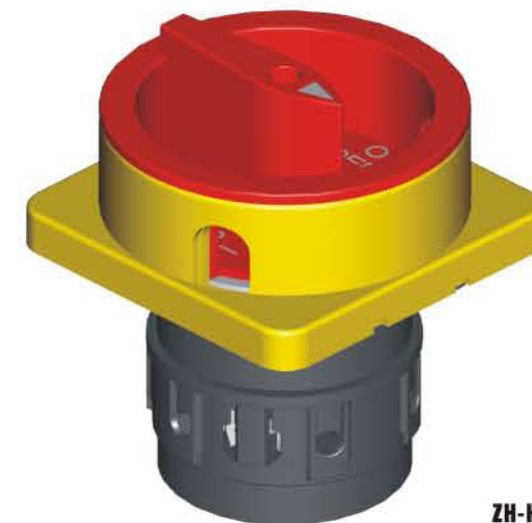
ZH-HC-2-04



ZH-HC-3-13



ZH-HC-3-13



ZH-HC-1-05



ZH-HC-1-05

Mounting size 安装孔尺寸

Type 类型	Function 功能	Panel 安装板	Marking 标识		Button Options 钮
1 ZH-HC-1 One Floor	Please choose from function 01-34 请从01-34功能图中选择	1 For button 1 and button 4 适合钮1和钮4	01 A.O.M	09	1
2 ZH-HC-2 Two Floors 二层		2 For button 1 and button 4 适合钮1和钮4	02 1,0,2	10	2
3 ZH-HC-3 Three Floors 三层		3 For button 2 and button 3 适合钮2和钮3	03 FOR, OFF, REV	11	3
4 ZH-HC-4 Four Floors 四层	21	4 For button 2 and button 3 适合钮2和钮3	04 R,O,L	12	4
5 ZH-HC-5 Five Floors 五层	20	5 Distance of installation center 36x36. For button 6 安装中心距36x36 适合按钮6	05 0,A,Δ	13	5
6 ZH-HC-6 Six Floors 六层	19	6 Distance of installation center 48x48. For button 6 安装中心距48x48 适合按钮6	06 0,1,2	14	6
	18	7 Distance of installation center 48x48. For button 7 安装中心距48x48 适合按钮7	07 0,1,Start	15	7
	17	8 Without panel 无安装板	08 Without Marking 无标识	16	

01

ZH-HC-1-02

02

ZH-HC-1-03

03

ZH-HC-1-04

04

ZH-HC-2-01

05

ZH-HC-2-02

06

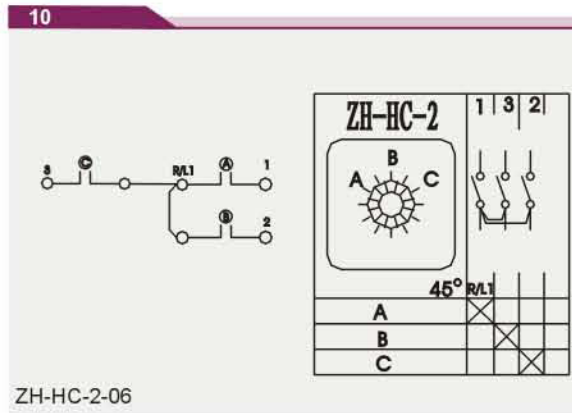
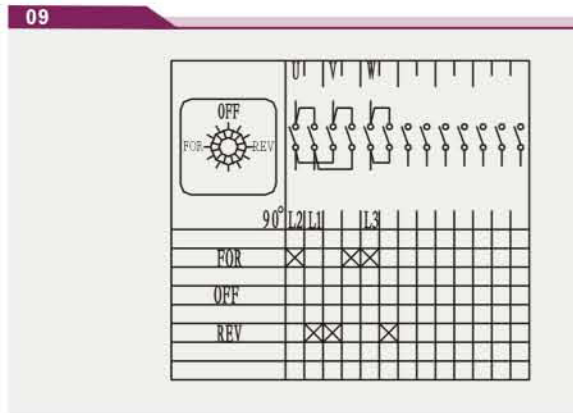
ZH-HC-2-03

07

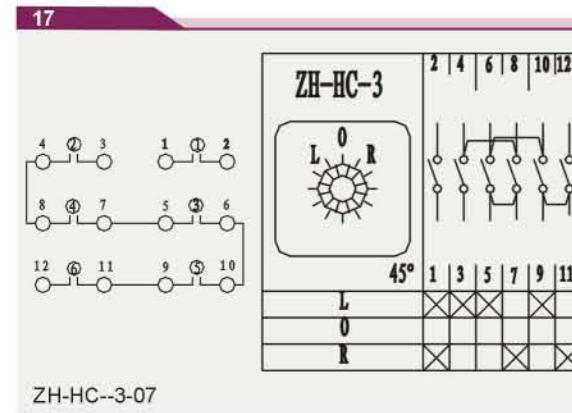
ZH-HC-2-04

08

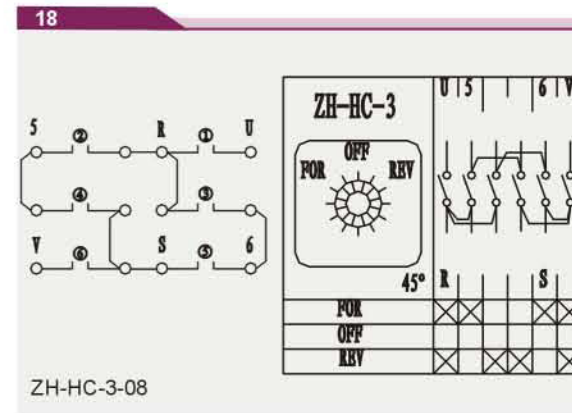
ZH-HC-2-05



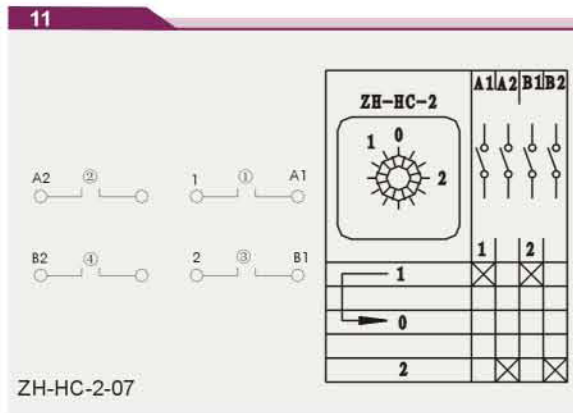
ZH-HC-2-06



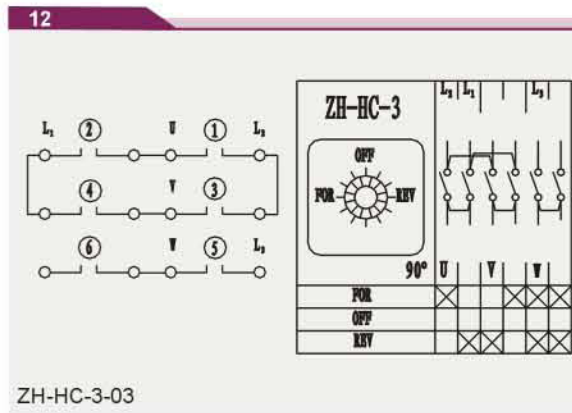
ZH-HC--3-07



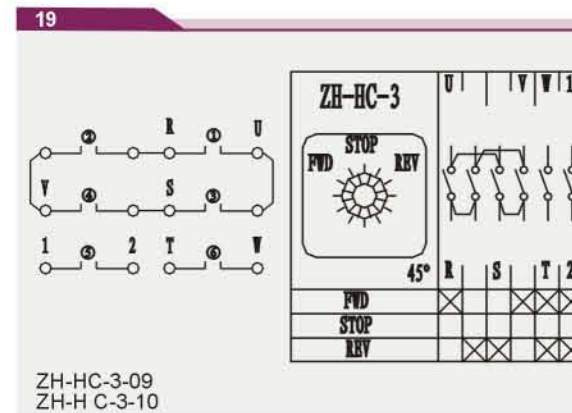
ZH-HC-3-08



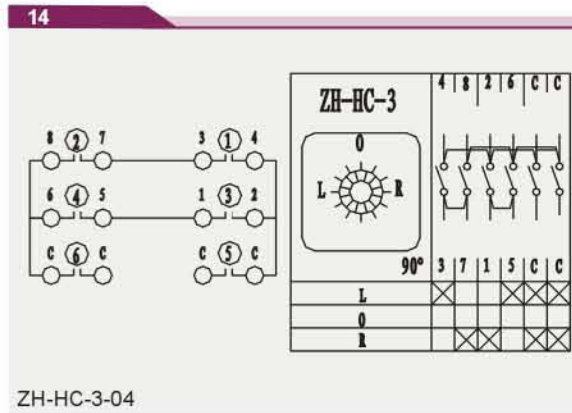
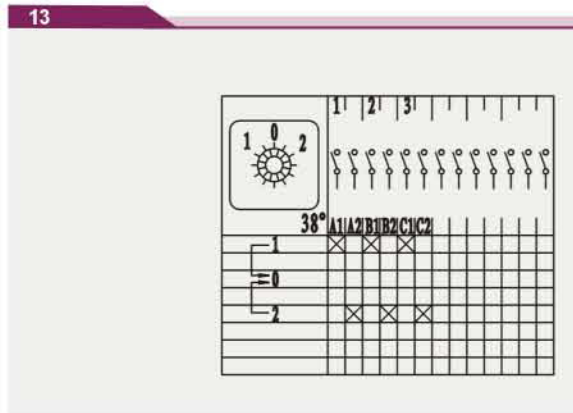
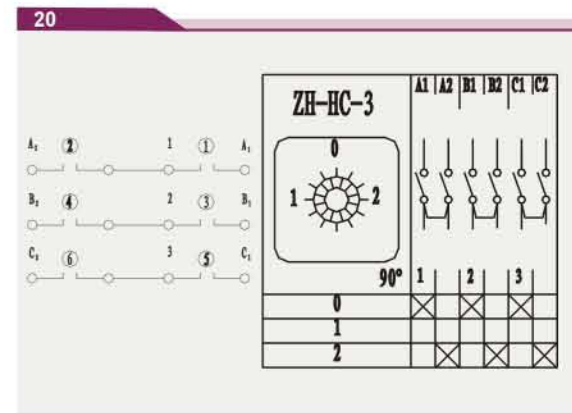
ZH-HC-2-07



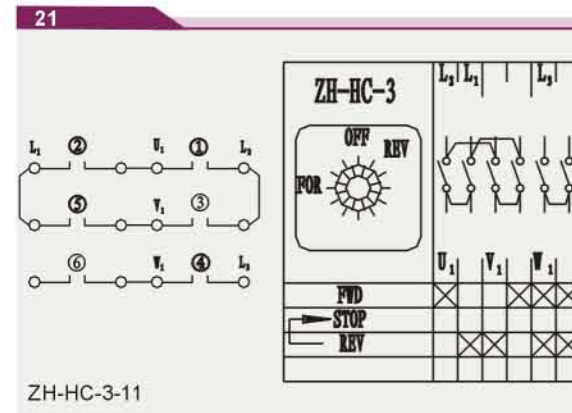
ZH-HC-3-03



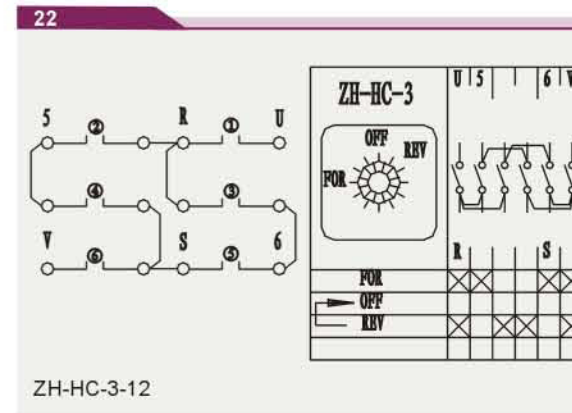
ZH-HC-3-09
ZH-H C-3-10



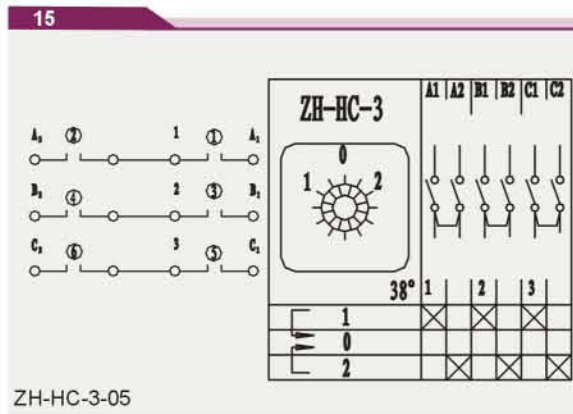
ZH-HC-3-04



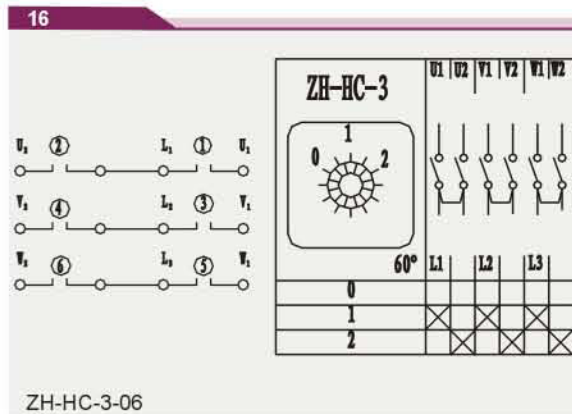
ZH-HC-3-11



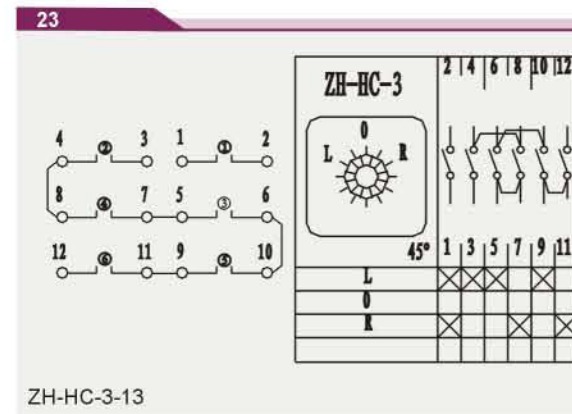
ZH-HC-3-12



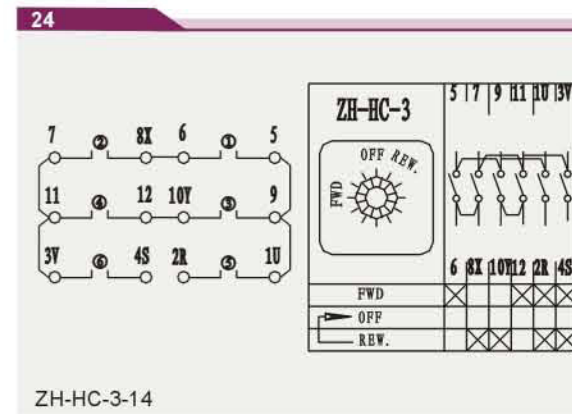
ZH-HC-3-05



ZH-HC-3-06

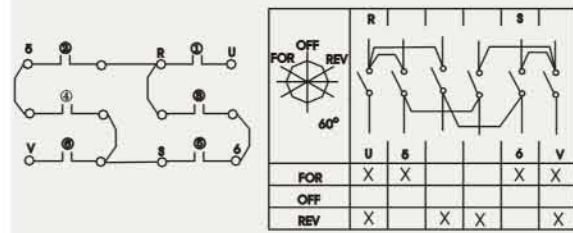


ZH-HC-3-13



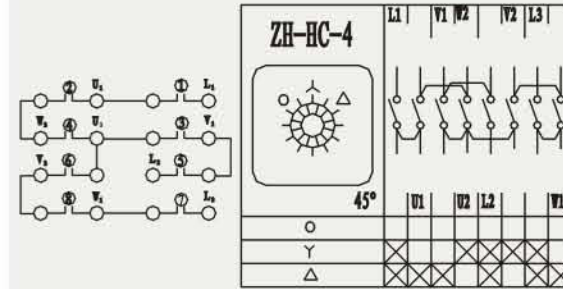
ZH-HC-3-14

25



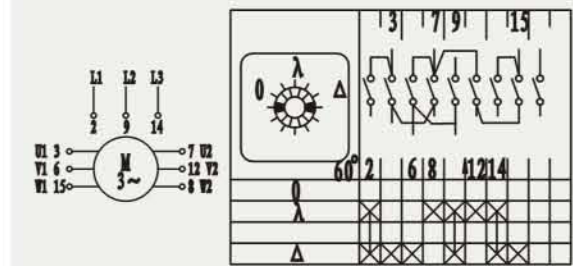
ZH-HC-3-15

26



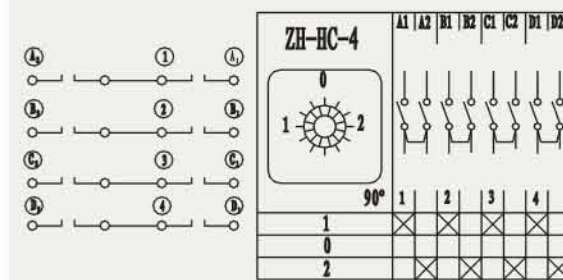
ZH-HC-4-02

27



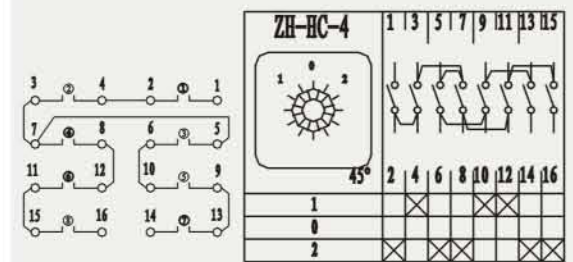
ZH-HC-4-02

28



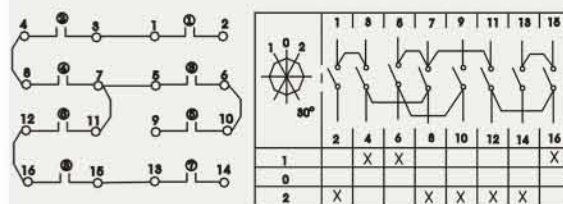
ZH-HC-4-01

29



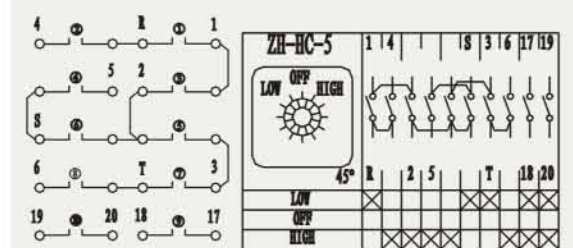
ZH-HC-4-03

30



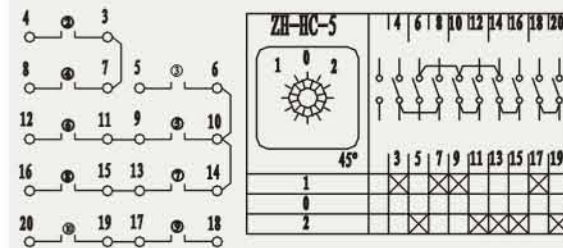
ZH-HC-4-04

31



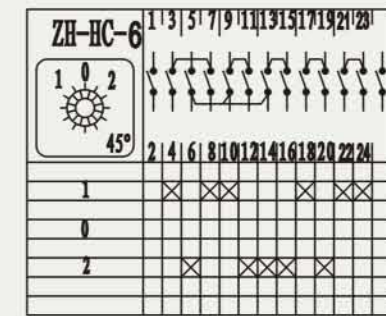
ZH-HC-5-01

32

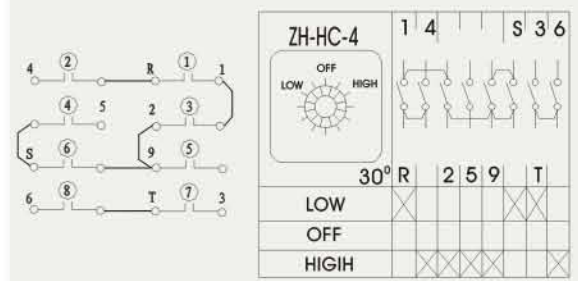


ZH-HC-5-02

33



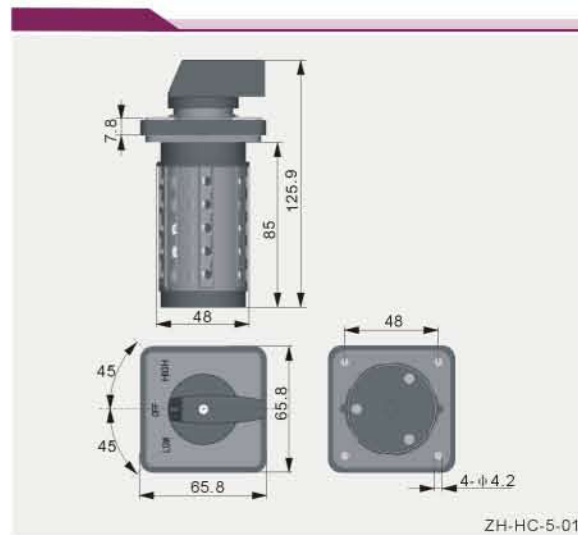
34



ZH-HC-4-05



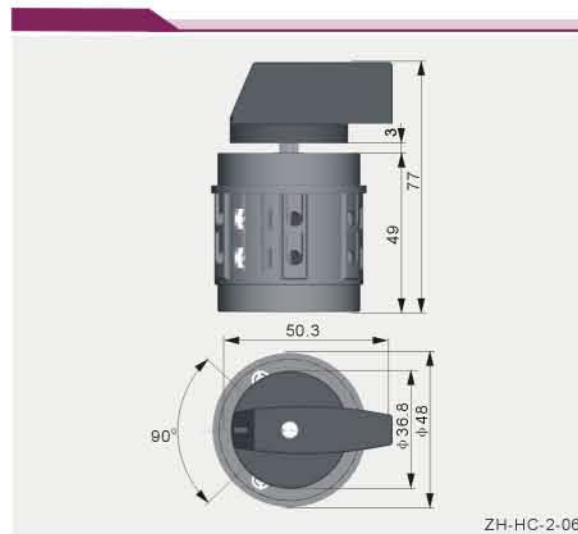
ZH-HC-5-01



ZH-HC-5-01



ZH-HC-2-06



ZH-HC-2-06