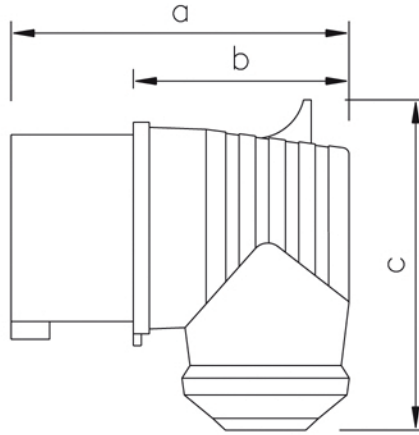


Angled plug



- cable entry - lateral
- to order nickel-plated contacts please add a "v" e.g. 8015-6v (also available as phase-inverter)

IP44 splashproof

Ampere	16
Pole	5
a	101
b	65
c	98
Gewicht in Gramm	180
Term	
Kontaktschrauben	
Leitung	

Ampere	Pole	400V~ 50/60Hz 3p=9h 4p+5p=6h Best.Nr.
16	5	8015-6