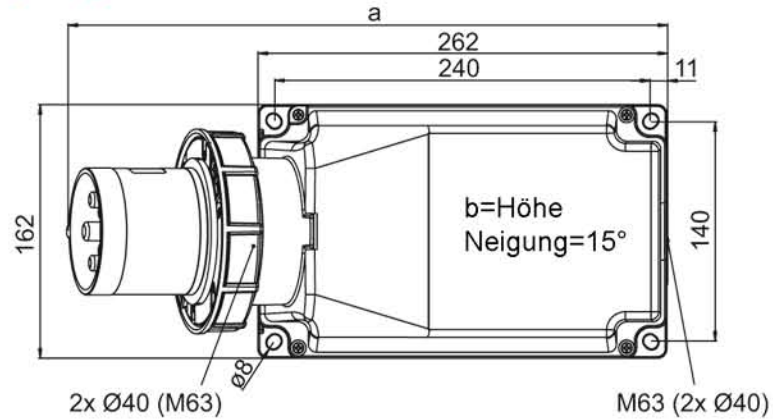


## "Power Twist" Wall mounted plug



housing dimenstions: HxWxC = 201x160x260; 1xM63; 2xØ40

- cable entry top, bottom or rear entry
- 180° rotatable housing
- nickel-plated contacts, with [pilot contact](#)
- waterproof cover and cable gland see accessories
- incl. blank cable gland

IP66/67 watertight

Ampere	125	125	125
Pole	3	4	5
a	387	387	387
b	209	209	209
Gewicht in Gramm	1760	1800	1840
Term			
Kontaktschrauben			
Leitung			

Ampere	Pole	110V~ 50/60Hz 4h Best.Nr.	230V~ 50/60Hz 3p=6h 4p+5p=9h Best.Nr.	400V~ 50/60Hz 3p=9h 4p+5p=9h Best.Nr.	500V~ 50/60Hz 7h Best.Nr.	>50- 500V~ 100-300Hz 10h Best.Nr.	>50- 500V~ 301-500Hz 2h Best.Nr.
125	3	543-4	543-6	543-9	543-7	543-10	543-2
125	4	544-4	544-9	544-6	544-7	544-10	544-2
125	5	545-4	545-9	545-6	545-7	545-10	545-2