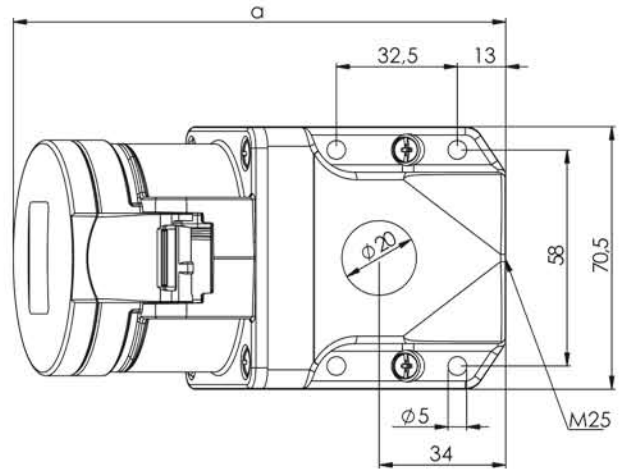


Wall socket



- top and rear entry
- to order nickel-plated contacts please add a "v" e.g. 113-6kv

IP44 splashproof

Ampere	16	16	16	32	32	32
Pole	3	4	5	3	4	5
a	126	128	129	141	141	143
b	86	90	96	97	97	104
M	25	25	25	25	25	25
Gewicht in Gramm	205	213	238	258	273	319
Term						
Kontaktschrauben						
Leitung						

Ampere	Pole	110V~ 50/60Hz 4h Best.Nr.	230V~ 50/60Hz 3p=6h 4p+5p=9h Best.Nr.	400V~ 50/60Hz 3p=9h 4p+5p=9h Best.Nr.	500V~ 50/60Hz 7h Best.Nr.	>50- 500V~ 100-300Hz 10h Best.Nr.	>50- 500V~ 301-500Hz 2h Best.Nr.
16	3	113-4k	113-6k	113-9k	113-7k	113-10k	113-2k
16	4	114-4k	114-9k	114-6k	114-7k	114-10k	114-2k
16	5	115-4k	115-9k	115-6k	115-7k	115-10k	115-2k
32	3	123-4k	123-6k	123-9k	123-7k	123-10k	123-2k
32	4	124-4k	124-9k	124-6k	124-7k	124-10k	124-2k
32	5	125-4k	125-9k	125-6k	125-7k	125-10k	125-2k