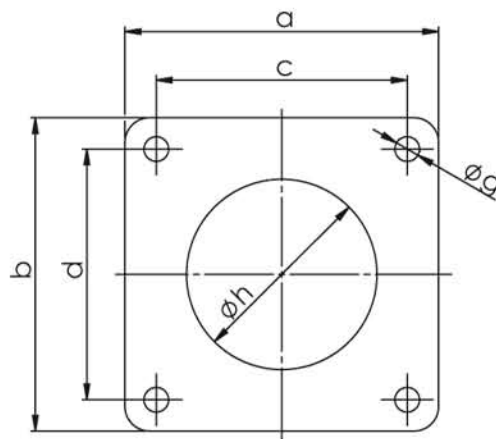
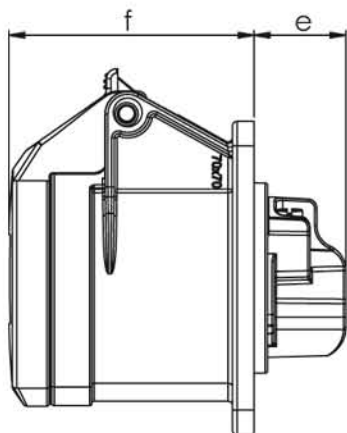


Flanged socket straight



Flange: 70x70; Fixing center: 56x56

- to order nickel-plated contacts please add a "v" e.g. 313-6v

IP44 splashproof

Ampere	16	16	16	32	32	32
Pole	3	4	5	3	4	5
Flansch a x b	70	70	70	70	70	70
Lochabst. c x d	56	56	56	56	56	56
e	21	21	21	23	23	23
f	55	55	55	67	67	67
g	5,5	5,5	5,5	5,5	5,5	5,5
h	43	45	55	55	55	58
Gewicht in Gramm	113	128	150	164	181	213
Term						
Kontaktschrauben						
Leitung						

Ampere Pole

110V~
50/60Hz
4h
Best.Nr.

230V~
50/60Hz
3p=6h
4p+5p=9h
Best.Nr.

400V~
50/60Hz
3p=9h
4p+5p=6h
Best.Nr.

500V~
50/60Hz
7h
Best.Nr.

>50-500V~
100-300Hz
10h
Best.Nr.

>50-500V~
301-500Hz
2h
Best.Nr.

16	3	313-4	313-6	313-9	313-7	313-10	313-2
16	4	314-4	314-9	314-6	314-7	314-10	314-2
16	5	315-4	315-9	315-6	315-7	315-10	315-2
32	3	323-4	323-6	323-9	323-7	323-10	323-2
32	4	324-4	324-9	324-6	324-7	324-10	324-2
32	5	325-4	325-9	325-6	325-7	325-10	325-2