

Switched interlocked socket - Compact series - wall mounting

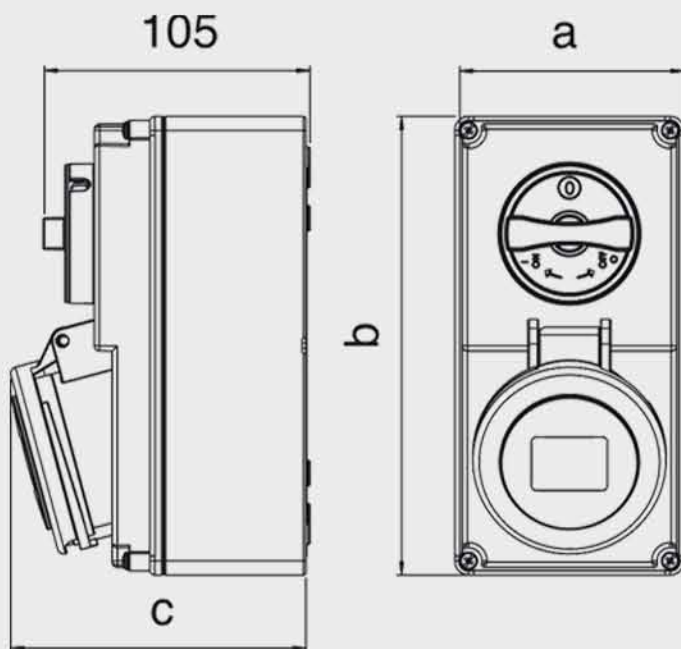


- mechanical interlock

IP44 splashproof

Advantage:

- compact design
- small dimensions - space saving storage
- all components are mounted on top
- as flanged version suitable for distribution boxes and boards
- ready wired for connection
- at switch-off position: lockable by padlock
- mechanical interlock: after plugging and switching-on plug is locked
- after switching-off and unplugging switch is locked



Technical Data:

- switched interlocked socket for panel/wall mounting
- ON/OFF switch PCE-Merz ML0; EN 60947-3; AC22A, 10kA
- large connection area
- enclosure made of shock-resistant thermoplastic material
- approved acc. to EN 60309, ÖVE

Ampere	16	16	16	32	32	32
Pole	3	4	5	3	4	5
a	90	90	90	90	90	90
b	180	180	180	180	180	180
c	115	115	117	123	123	124
Kontakte	2	3	4	2	3	4
Gewicht in Gramm	596	657	695	654	712	754
Term						
Kontaktschrauben						
Leitung						

Ampere	Pole	110V~ 50/60Hz 4h Best.Nr.	230V~ 50/60Hz 3p-6h 4p+5p-9h Best.Nr.	400V~ 50/60Hz 3p-9h 4p+5p-9h Best.Nr.	500V~ 50/60Hz 7h Best.Nr.
16	3	6113-4	6113-6	6113-9	6113-7
16	4	6114-4	6114-9	6114-6	6114-7
16	5	6115-4	6115-9	6115-6	6115-7
32	3	6123-4	6123-6	6123-9	6123-7
32	4	6124-4	6124-9	6124-6	6124-7
32	5	6125-4	6125-9	6125-6	6125-7