

Amp.	Poles	pack. unit	110V~	230V~	400V~	500V~
			50/60Hz 4h	50/60Hz 3p=6h 4p+5p=9h	50/60Hz 3p=9h 4p+5p=6h	50/60Hz 7h
			Cat.No.	Cat.No.	Cat.No.	Cat.No.
16	3	1	7613-4	<b>7613-6</b>	7613-9	7613-7
16	4	1	7614-4	7614-9	<b>7614-6</b>	7614-7
16	5	1	7615-4	7615-9	<b>7615-6</b>	7615-7
32	3	1	7623-4	<b>7623-6</b>	7623-9	7623-7
32	4	1	7624-4	7624-9	<b>7624-6</b>	7624-7
32	5	1	7625-4	7625-9	<b>7625-6</b>	7625-7

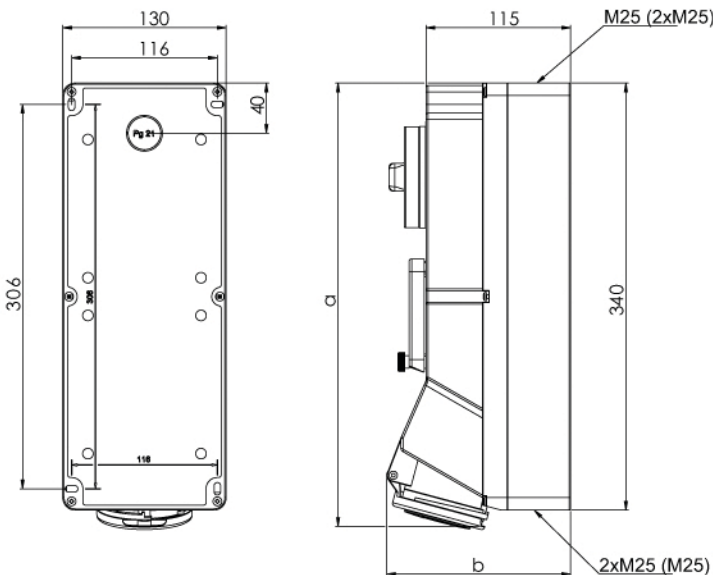


## Switched interlocked socket - wall mounting

Poles	16 Amp			32 Amp		
	3	4	5	3	4	5
a	358	359	360	363	363	364
b	146	146	146	150	150	157
M	3x25	3x25	3x25	3x25	3x25	3x25
Kind of connection:	Screw terminal					
Wire flexible [mm <sup>2</sup> ]	1-2,5			2,5-6		
solid [mm <sup>2</sup> ]	1-4			2,5-10		
Weight [g]	1483	1603	1643	1663	1673	1723

- with screw terminals
- housing material: PC/ABS
- contacts: nickel-plated contacts
- mechanical interlock
- top, bottom or rear entry
- with DIN-rail and hinged window for 5 modules

**IP44** splashproof



### ■ ■ ■ Technical data to 63A version:

- like Series 75 . . . but:
- window with 6 modules
- integrated DIN-rail EN 50022 for standard fuses, e.g. MCBs, RCDs, etc. with cap-diameters: 45mm
- ready wired for connection up to DIN-rail

