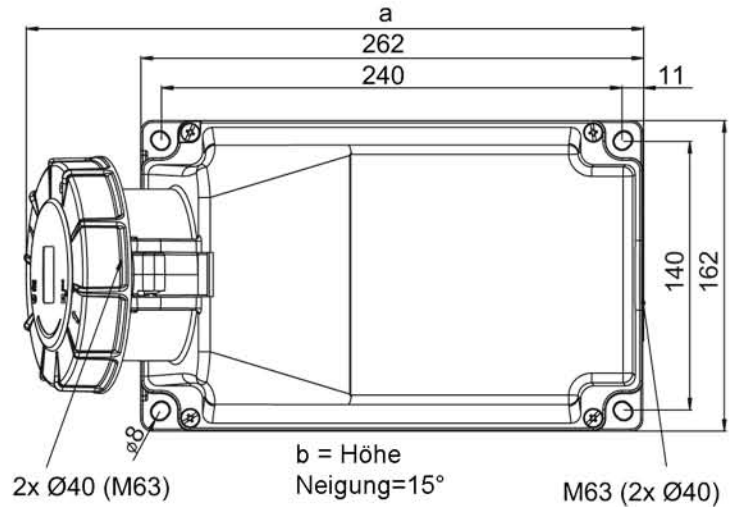
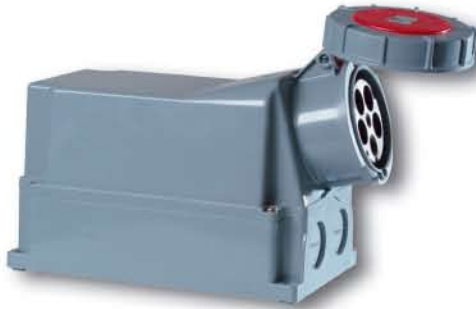


## "Power Twist" Wall socket



125A 3p: Housing WxHxD = 201x160x260; 1Ø50; 2xØ40

125A 4p and 5p: Housing WxHxD = 201x160x260; 1xM63; 2xØ40

- top, bottom and rear entry
- 180° rotatable housing
- with lamellar contact
- to order with [pilot contact](#) please add a "5" e.g. 1435-6
- to order with [pilot contact system \(PCS\)](#) please add a "6" e.g. 1436-6
- cable gland is not included - please add separately!

IP66/67 watertight

Ampere	125	125	125
Pole	3	4	5
a	322	322	322
b	205	205	205
Gewicht in Gramm	1850	1900	1950
Term			
Kontaktschrauben			
Leitung			

Ampere	Pole	110V~ 50/60Hz 4h Best.Nr.	230V~ 50/60Hz 3p=6h 4p+5p=9h Best.Nr.	400V~ 50/60Hz 3p=9h 4p+5p=9h Best.Nr.	500V~ 50/60Hz 7h Best.Nr.	>50- 500V~ 100-300Hz 10h Best.Nr.	>50- 500V~ 301-500Hz 2h Best.Nr.
125	3	143-4	143-6	143-9	143-7	143-10	143-2
125	4	144-4	144-9	144-6	144-7	144-10	144-2
125	5	145-4	145-9	145-6	145-7	145-10	145-2