

# Quick selection table

## 3-pole Contactors



See page 36 for more details



See page 36 for more details

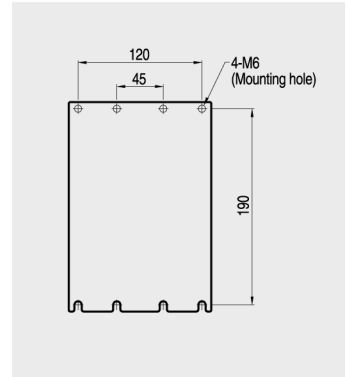
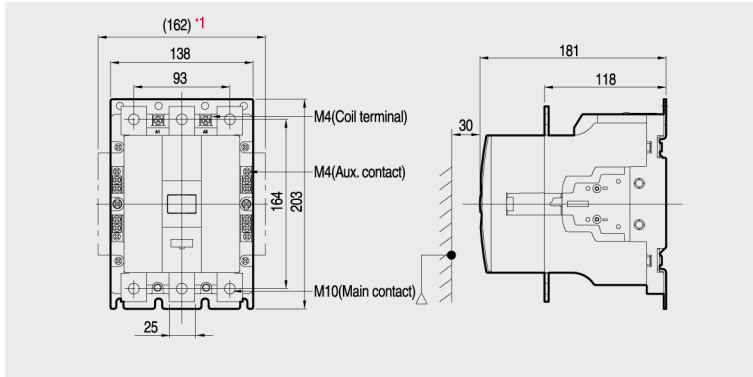


See page 38 for more details

Frame size		180A		220A		300A		400A		600A		800A	
Types	AC/DC common coil	GMC-180		GMC-220		GMC-300		GMC-400		GMC-600		GMC-800	
<b>Ratings / IEC60947-4</b>		kW	A	kW	A	kW	A	kW	A	kW	A	kW	A
AC1		<b>230</b>		<b>275</b>		<b>350</b>		<b>450</b>		<b>660</b>		<b>900</b>	
AC3	200/240V	55	180	75	250	90	300	125	400	190	630	220	800
	<b>380/440V</b>	<b>90</b>	<b>180</b>	<b>132</b>	<b>250</b>	<b>160</b>	<b>300</b>	<b>220</b>	<b>400</b>	<b>330</b>	<b>630</b>	<b>440</b>	<b>800</b>
	500/550V	110	180	132	200	160	250	225	350	330	500	500	720
	690V	110	120	132	150	200	220	250	300	330	420	500	630
<b>Ratings / UL508</b>		hp	A	hp	A	hp	A	hp	A	hp	A	hp	A
continuous current			230		275		350		450		660		900
single phase	115V	15		15									
	230V	30		40									
three phase	200V	60		60		100		125		150		250	
	230V	60		75		100		150		200		300	
	<b>460V</b>	<b>125</b>		<b>150</b>		<b>200</b>		<b>300</b>		<b>400</b>		<b>600</b>	
	575V	125		150		200		300		400		600	
NEMA size		4		4		5		5		6		7	

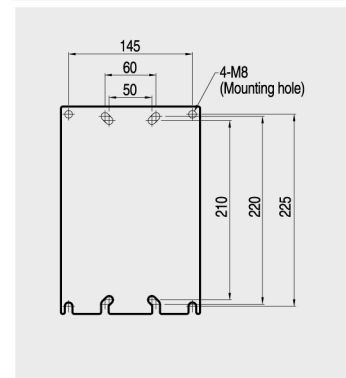
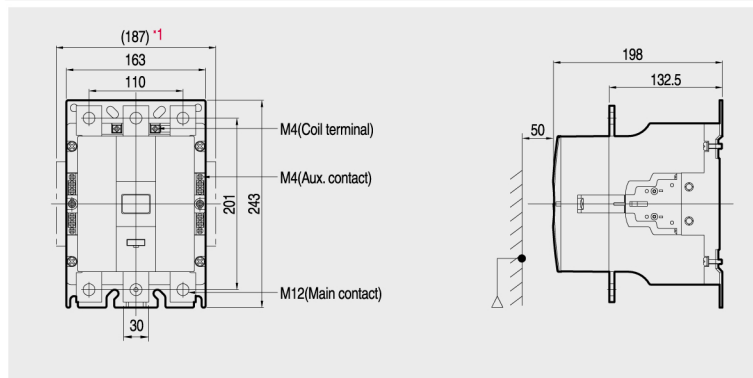
GMC-180

GMC-220



GMC-300

GMC-400



GMC-600

GMC-800

