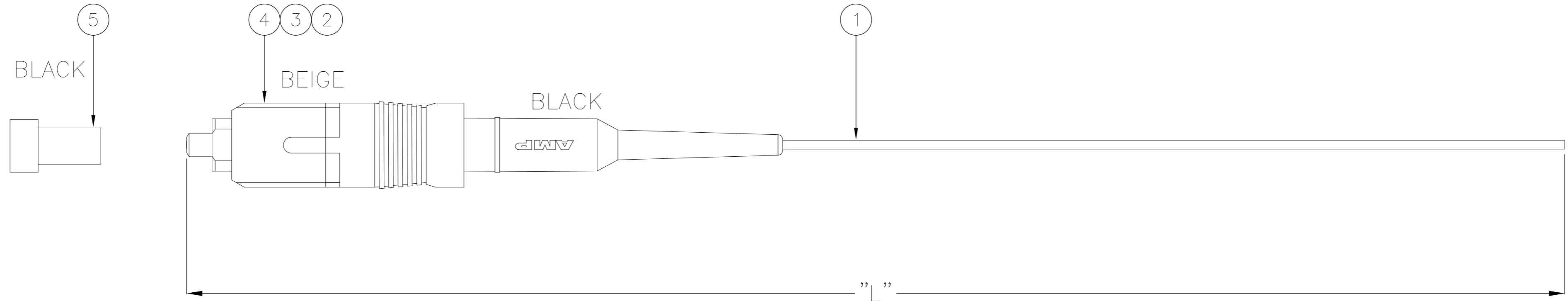


THIS DRAWING IS UNPUBLISHED. RELEASED FOR PUBLICATION
 © COPYRIGHT BY TYCO ELECTRONICS CORPORATION. ALL RIGHTS RESERVED.

LOC	DIST	REVISIONS			
P	LTR	DESCRIPTION	DATE	DWN	APVD
H	-	C	ECR-09-015101	02 SEP 09	AG MO



NOTES:

- ATTENUATION $\leq 0,3$ dB, MEASURED AT 1300nm
ACC. 874-1 CLAUSE 4.4.7, METHOD 7 EQUILIBRIUM MODE CONDITION
- CABLE INFORMATION:
 - FIBER CORE: 50 μ m
 - OUTER DIAMETER: 900 μ m
 - OUTER BUFFER COLOUR: GREEN
 - OUTER BUFFER MATERIAL: LOW SMOKE ZERO HALOGEN

STANDARD LENGTHS ACCORDING TO CUSTOMER DRAWING 1206850	
PART NUMBER	"L" (meter)
X-6695505-Y	XY,0

1	-	FERRULE DUST CAP, BLACK	5											
1	-	SC CONNECTOR HOUSING, BEIGE	4											
1	-	CONNECTOR SUBASSY SC MM	3											
1	-	BOOT BARE BUFFER, BLACK	2											
L	-	FOCAB 0,9T 50/125 GREEN	1											
Qty	Part Number	Description	Item											
THIS DRAWING IS A CONTROLLED DOCUMENT.		DWN R. COOLEN 16 DEC 05	Tyco Electronics Nederland BV 's-Hertogenbosch, Netherlands											
DIMENSIONS: mm		CHK A. HENGELMOLEN 16 DEC 05												
TOLERANCES UNLESS OTHERWISE SPECIFIED:		APVD J. ELENBAAS 16 DEC 05												
<table border="0"> <tr><td>0 PLC</td><td>± -</td></tr> <tr><td>1 PLC</td><td>± -</td></tr> <tr><td>2 PLC</td><td>± -</td></tr> <tr><td>3 PLC</td><td>± -</td></tr> <tr><td>4 PLC</td><td>± -</td></tr> <tr><td>ANGLES</td><td>± -</td></tr> </table>		0 PLC		± -	1 PLC	± -	2 PLC	± -	3 PLC	± -	4 PLC	± -	ANGLES	± -
0 PLC	± -													
1 PLC	± -													
2 PLC	± -													
3 PLC	± -													
4 PLC	± -													
ANGLES	± -													
MATERIAL	FINISH	PRODUCT SPEC	FOMM50 PIGTAIL 0.9T SC											
		APPLICATION SPEC	RESTRICTED TO											
		WEIGHT	SIZE CAGE CODE DRAWING NO											
		CUSTOMER DRAWING	A2 00779 C=6695505											
		SCALE NTS	SHEET 1 OF 1 REV C											