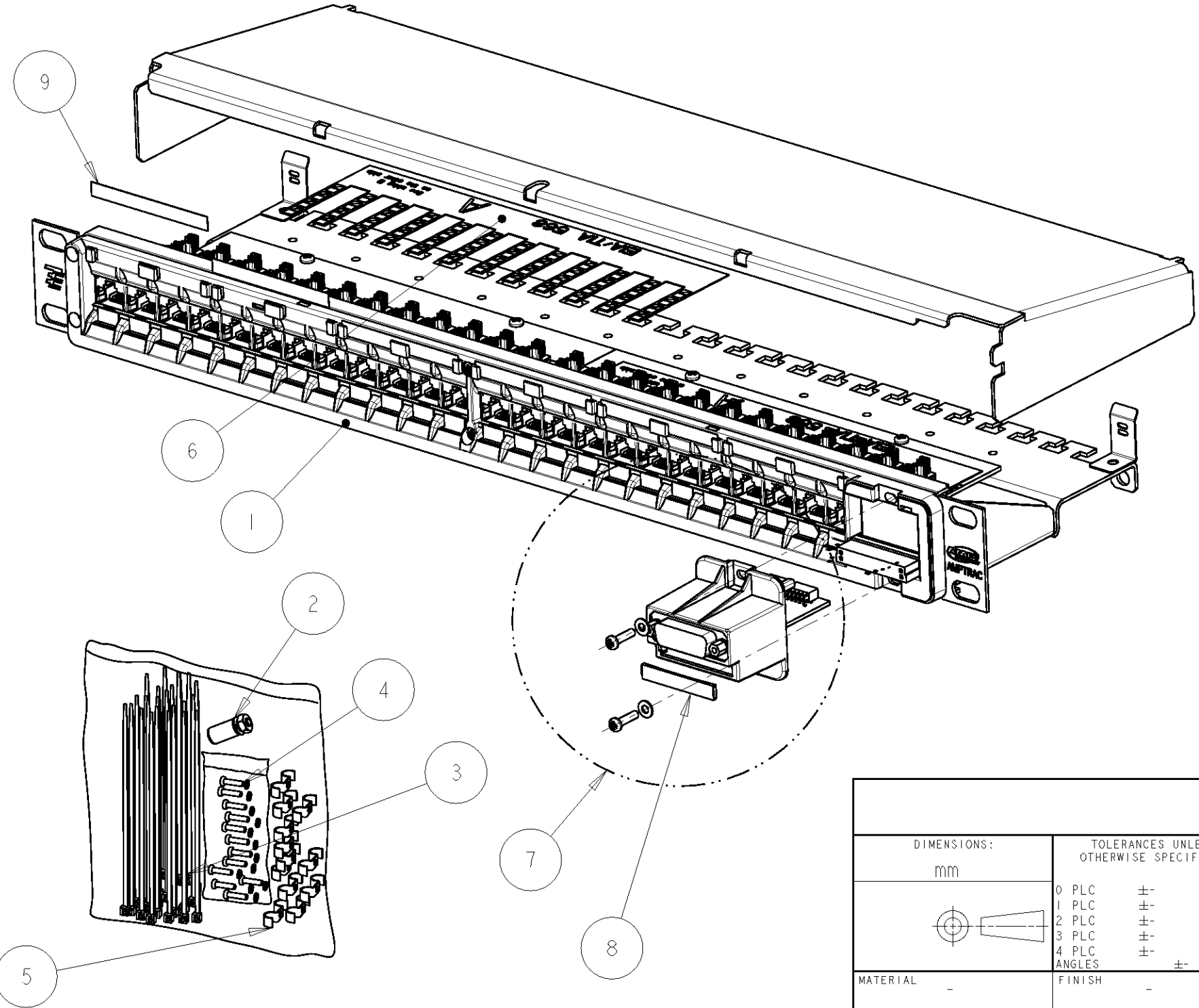
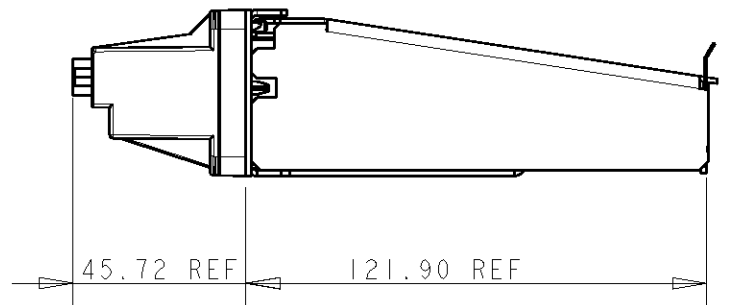
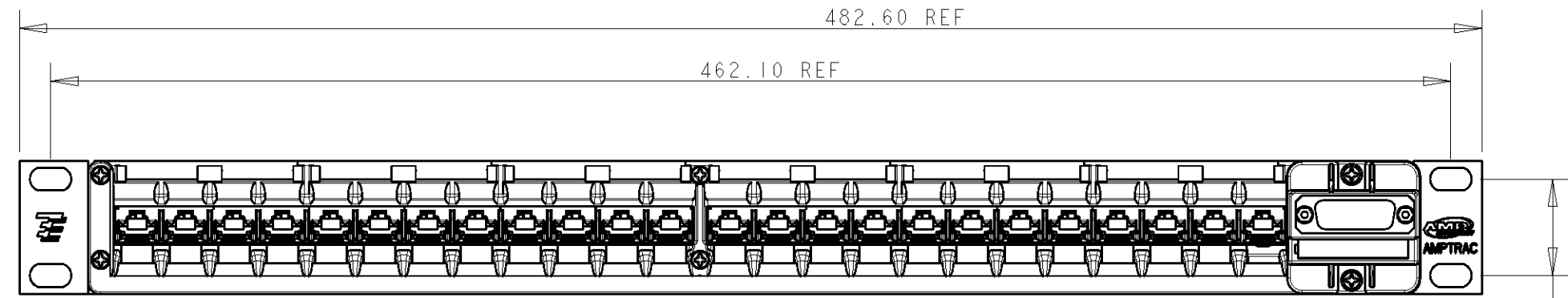


THIS DRAWING IS UNPUBLISHED. RELEASED FOR PUBLICATION 2009
 © COPYRIGHT - BY - ALL RIGHTS RESERVED.

LOC	DIST	REVISIONS					
1K	2	P	LTR	DESCRIPTION	DATE	DWN	APVD
		H1		REVISED PER ECO-11-005150	03MAY11	RK	HMR



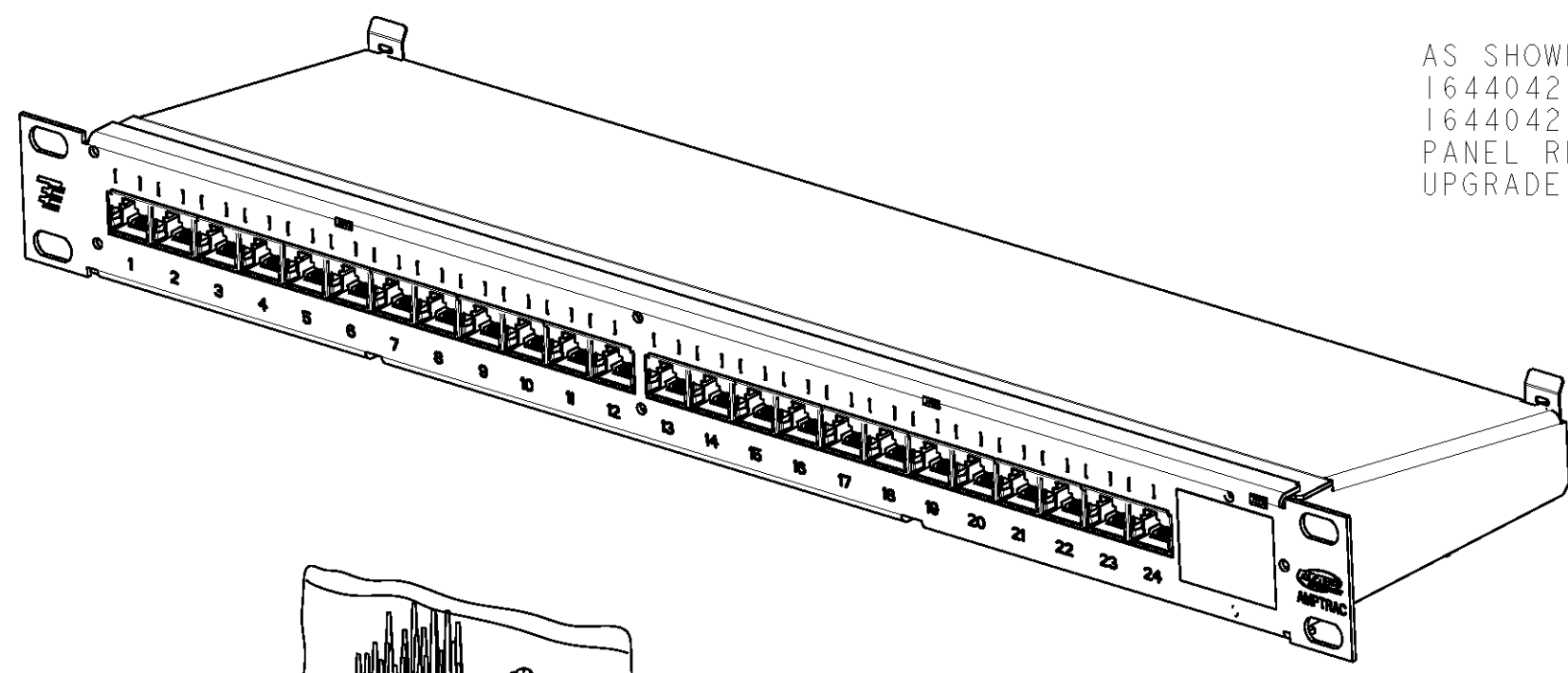
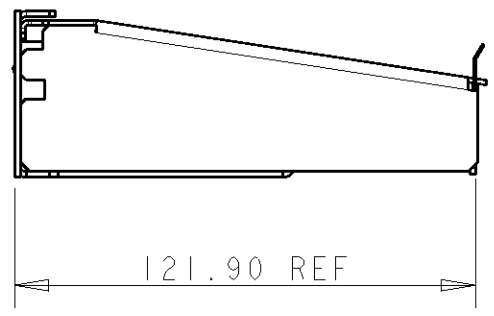
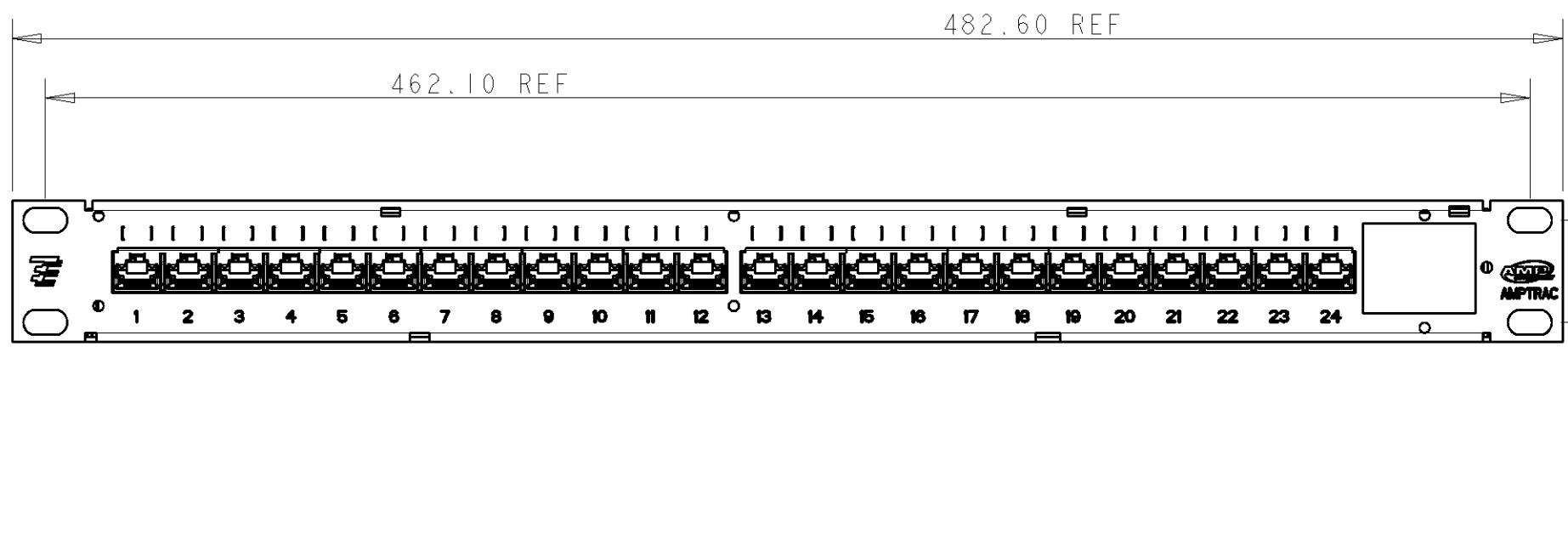
- PACKAGING:
ONE BOX WITH ONE PANEL.
PANEL PRE-ASSEMBLED INTO POLYBAG INCLUDING SCREW-SET AND APPLICATION SPEC.
- IT IS STRONGLY RECOMMENDED THE USE OF THE CABLE MANAGEMENT BAR PN 1711344-1 (NOT SHOWN) AS INDICATED ON THE APPLICATION SPEC.

SEE VIEWS ON SHEET 2	AS SHOWN IN SHEET 1	DESCRIPTION	NOTES	ITEM
-	6	PORT LABEL		9
-	1	I/O LABEL		8
-	1	INTERCHANGEABLE OUTPUT CASSETTE	HD-22+AMPMODU 2mm	7
2	2	COLOR CODE GUIDE LABEL		6
12	12	CABLE CLAMP		5
12	12	SCREW M3x12		4
25	25	CABLE TIE		3
	1	GROUND CLAMP KIT		2
1	-	PATCH PANEL	GREY RAL 7035	1
-	1	PATCH PANEL	BLACK RAL 9005	
-3	-2	DESCRIPTION		
AMPTRAC READY IN GREY	AMPTRAC READY IN BLACK	AMPTRAC I/O FRONT +REAR		

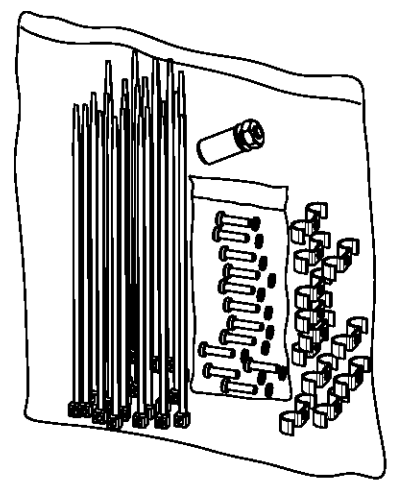
DIMENSIONS: mm 		TOLERANCES UNLESS OTHERWISE SPECIFIED: 0 PLC ± 1 PLC ± 2 PLC ± 3 PLC ± 4 PLC ± ANGLES ±		DWN J.GATNAU 28-Apr-03 CHK A.PUELL 28-Apr-03 APVD J.SANABRA 03-Aug-04 PRODUCT SPEC 108-22138 APPLICATION SPEC 114-93001 WEIGHT -		TE Connectivity NAME PATCH PANEL Cat. 6 24 PORTS SHIELDED, WITH AMPTRAC APPLICATION					
MATERIAL -		FINISH -		SIZE A3		CAGE CODE -		DRAWING NO C=1644042		RESTRICTED TO -	
CUSTOMER DRAWING				SCALE 1:2		SHEET 1 OF 2		REV H1			

THIS DRAWING IS UNPUBLISHED. RELEASED FOR PUBLICATION 2010
 © COPYRIGHT - BY - ALL RIGHTS RESERVED.

LOC	DIST	REVISIONS					
1K	2	P	LTR	DESCRIPTION	DATE	DWN	APVD
		-		SEE SHEET 1	-	-	-



AS SHOWN
 1644042-2
 1644042-3
 PANEL READY FOR AMPTRAC UPGRADE
 UPGRADE KIT PN 1711148-1 (OR CONTACT YOUR SALES REPRESENTATIVE)



SCALE 4:5

DIMENSIONS: mm		TOLERANCES UNLESS OTHERWISE SPECIFIED:		DWN J.GATNAU 28-Apr-03		CHK A.PUELL 28-Apr-03		APVD J.SANABRA 03-Aug-04					
		0 PLC ±-	1 PLC ±-	2 PLC ±-	3 PLC ±-	4 PLC ±-	ANGLES ±-	NAME PATCH PANEL Cat. 6 24 PORTS SHIELDED, WITH AMPTRAC APPLICATION					
MATERIAL -		FINISH -		PRODUCT SPEC 108-22138		APPLICATION SPEC 114-93001		WEIGHT -		SIZE A3 CAGE CODE - DRAWING NO ©=1644042 RESTRICTED TO -			
CUSTOMER DRAWING								SCALE 1:2		SHEET 2 OF 2		REV H1	