

THIS DRAWING IS UNPUBLISHED.

RELEASED FOR PUBLICATION

20

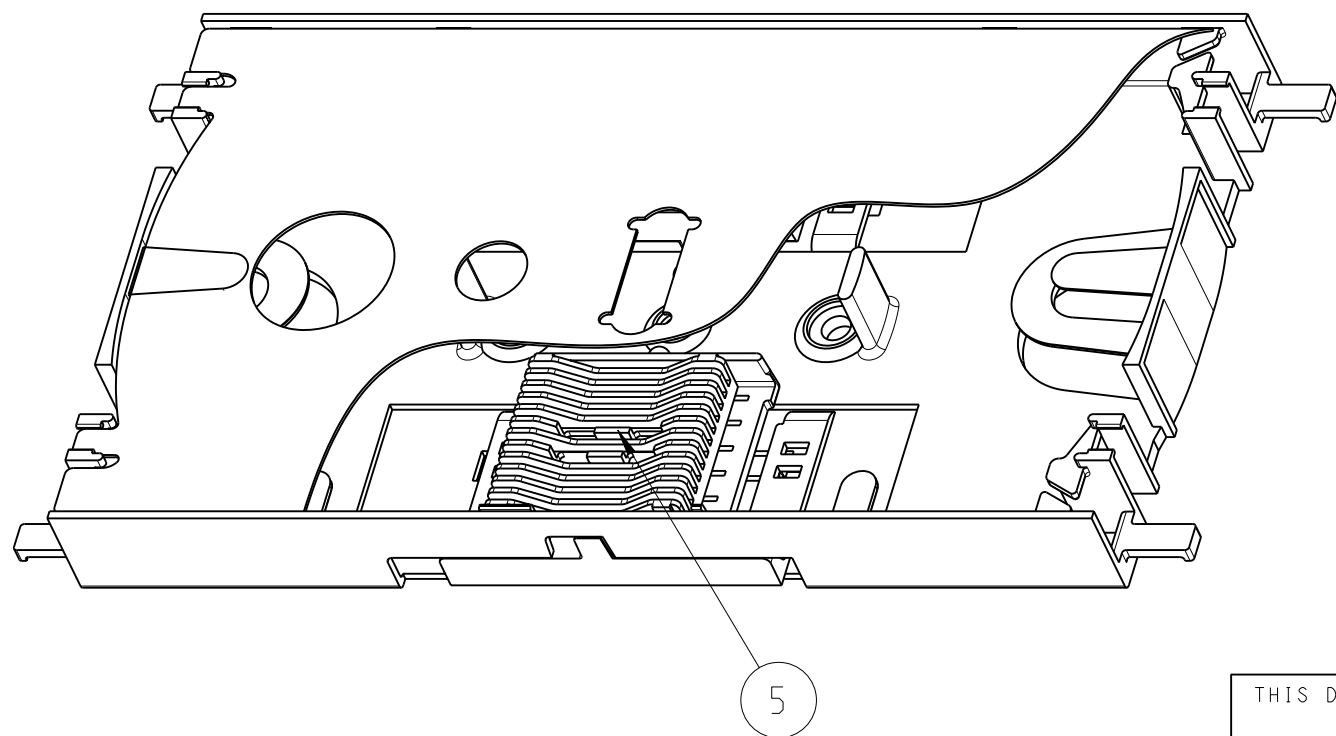
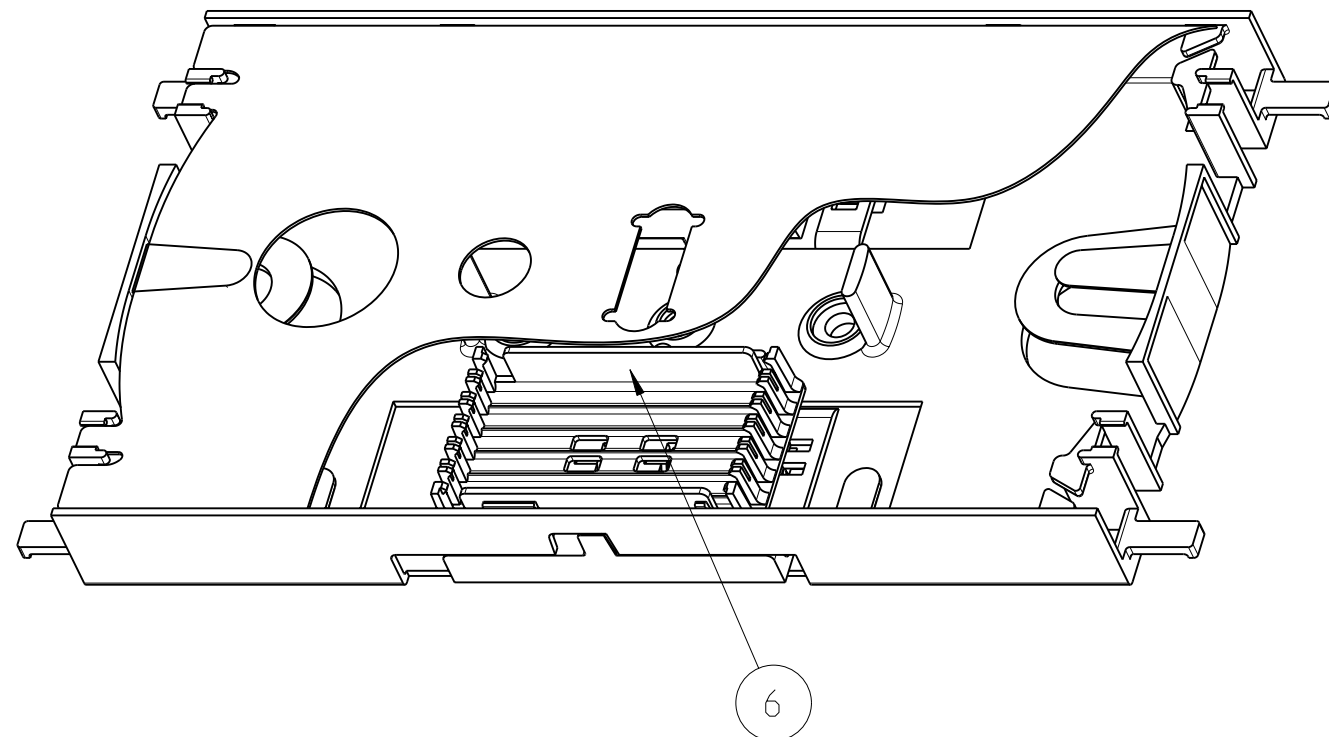
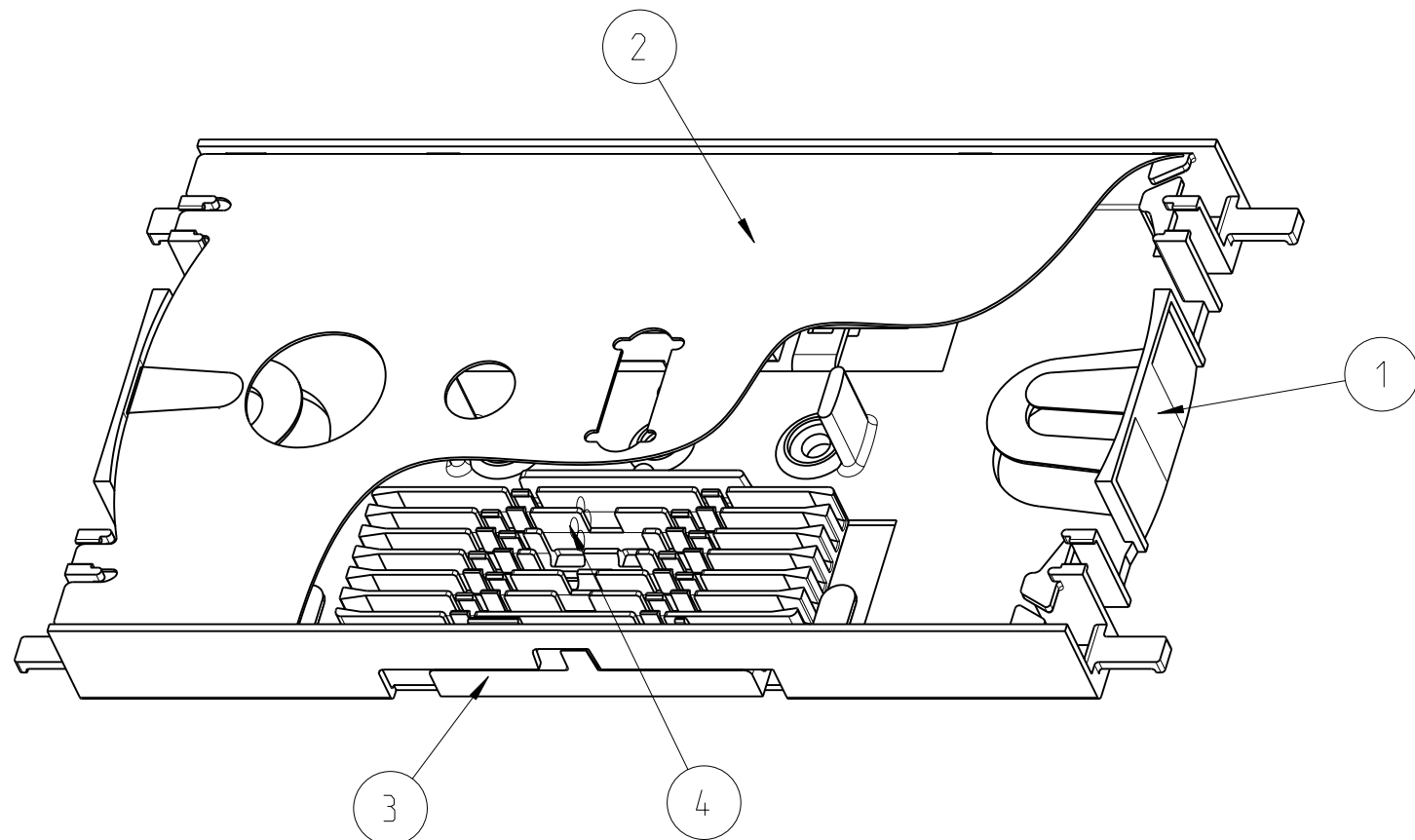
© COPYRIGHT 20

ALL RIGHTS RESERVED.


LOC IV DIST 00

REVISIONS

P	LTR	DESCRIPTION	DATE	DWN	APVD
	A1	REVISED PER ECO-11-005139	16MAY2011	RK	HMR



2	-	-	12 RECORD splice holder	6
-	2	-	12 ANT splice protectors	5
-	-	2	12 Smouve 60 splice protectors	4
2	2	2	Tray step	3
1	1	1	Traylid AA size	2
1	1	1	Tray AA size	1
-3	-2	-1		
QUANTITY			DESCRIPTION	ITEM

THIS DRAWING IS A CONTROLLED DOCUMENT.		DWN H.BLEUS 21MAY2010	 TE Connectivity	
DIMENSIONS: mm		CHK -		
TOLERANCES UNLESS OTHERWISE SPECIFIED:		APVD -	NAME Universal Splice Tray FOSC-500 AA	
0 PLC ±SEE TABLE		PRODUCT SPEC -		
1 PLC ±SEE TABLE		APPLICATION SPEC -	SIZE A3 CAGE CODE 00779 DRAWING NO C-1671281 RESTRICTED TO -	
2 PLC ±SEE TABLE		WEIGHT -		
3 PLC ±SEE TABLE		CUSTOMER DRAWING		
4 PLC ±SEE TABLE		SCALE 1:1 SHEET 1 OF 1 REV A1		
ANGLES ±SEE TABLE				
FINISH -				