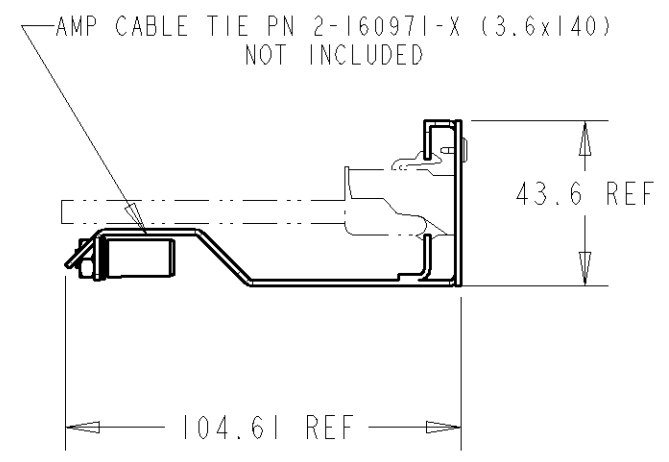
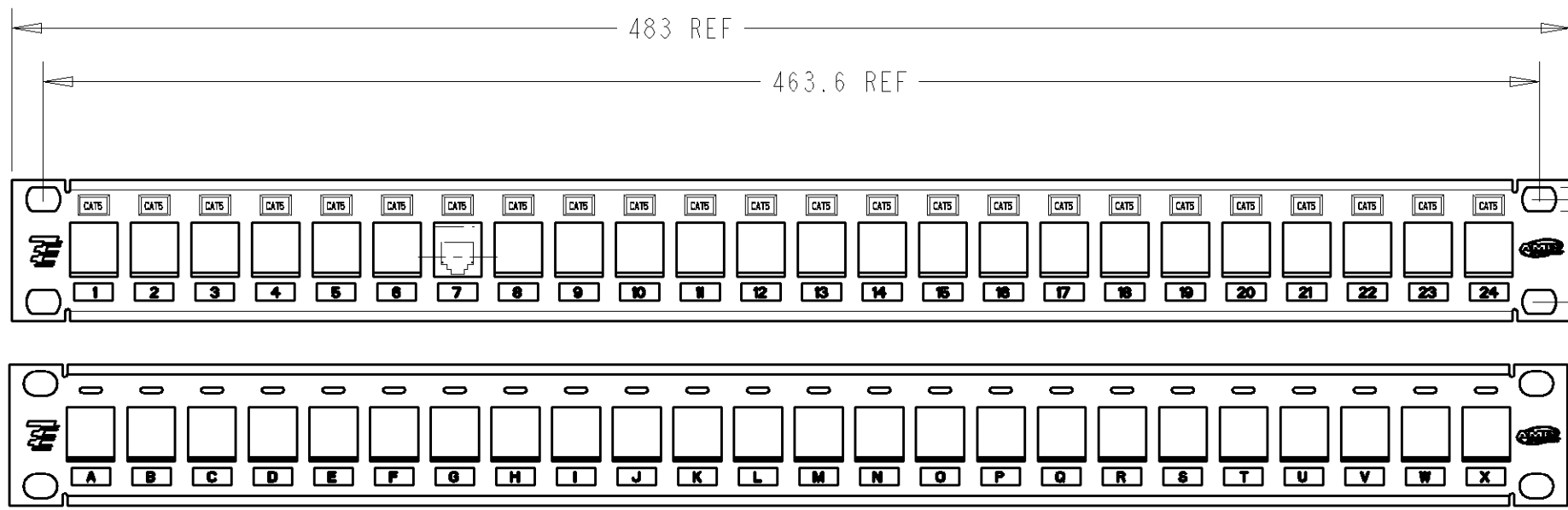


THIS DRAWING IS UNPUBLISHED. RELEASED FOR PUBLICATION 2009
 © COPYRIGHT - BY - ALL RIGHTS RESERVED.

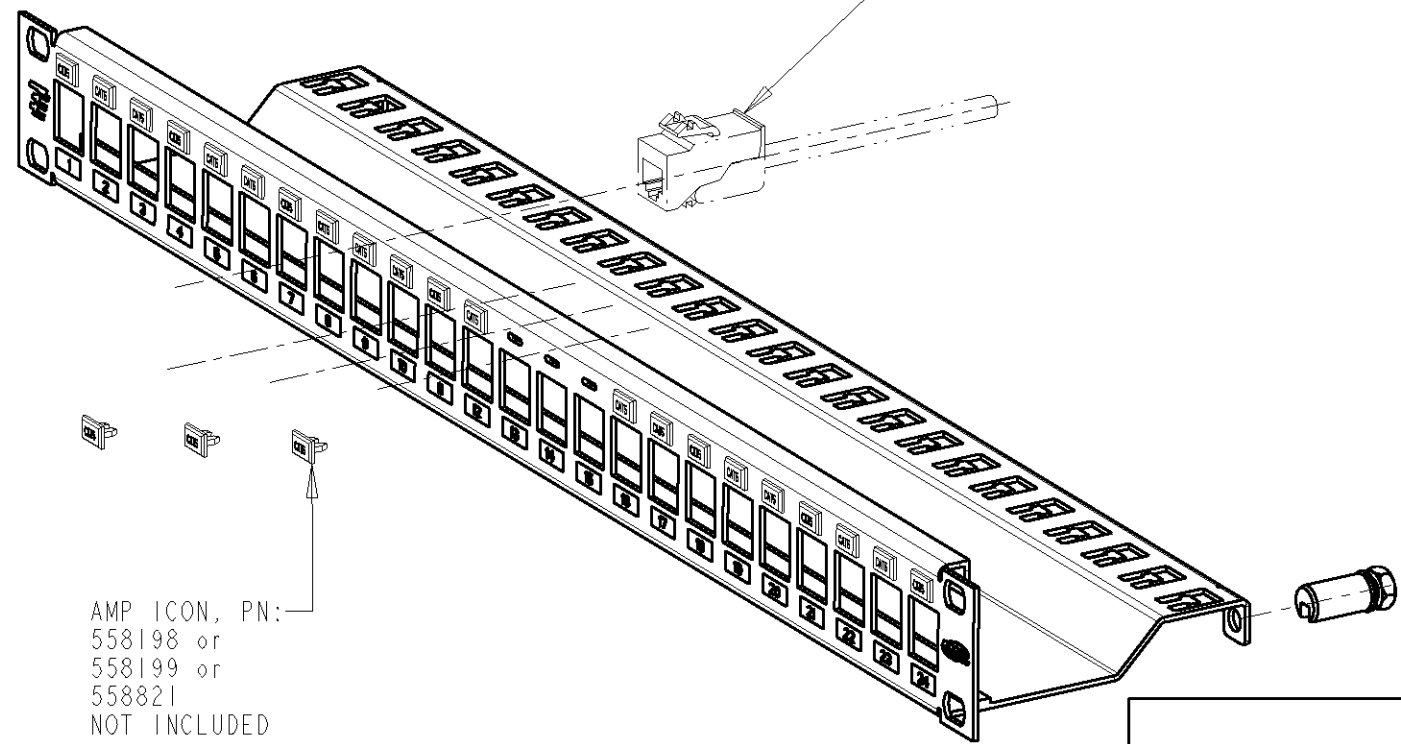
LOC	DIST	REVISIONS			
P	LTR	DESCRIPTION	DATE	DWN	APVD
1K	2	C1	REVISED PER ECO-11-005150	03MAY11	RK HMR



PORT LETTER PRINTING ONLY IN PN 336526-7

1. PACKAGING: BOX WITH PANEL IN INDIVIDUAL BAG WITH GROUND CONN. INCLUDED.
2. THIS KIT SHIPPED, NOT ASSEMBLED.

AMP CONNECTOR SL SERIES TOOLLESS JACKS
 or
 MT-RJ Workstation Optical Fiber Jack
 NOT INCLUDED



GREY WITH BLACK MARKINGS	336526-7
GREY WITH BLACK MARKINGS	336526-4
WHITE WITH BLACK MARKINGS	336526-3
LIGHT ALMOND WITH BLACK MARKINGS	336526-2
BLACK WITH WHITE MARKINGS	336526-1
TEXTURED PAINTED COLOR	PN

DWN J.GATNAU 07SEP00		TE Connectivity	
CHK A.PUELL 03OCT00			
APVD J.SANABRA 05FEB02		NAME	
PRODUCT SPEC		PATCH PANEL, 24 PORTS, FLUSH MOUNT	
APPLICATION SPEC		SIZE	RESTRICTED TO
WEIGHT		A3	-
CUSTOMER DRAWING		DRAWING NO	C-336526
SCALE		SHEET OF REV C1	

DIMENSIONS:		TOLERANCES UNLESS OTHERWISE SPECIFIED:	
mm		0 PLC	±
		1 PLC	±
		2 PLC	±
		3 PLC	±
		4 PLC	±
MATERIAL		ANGLES	±
		FINISH	-